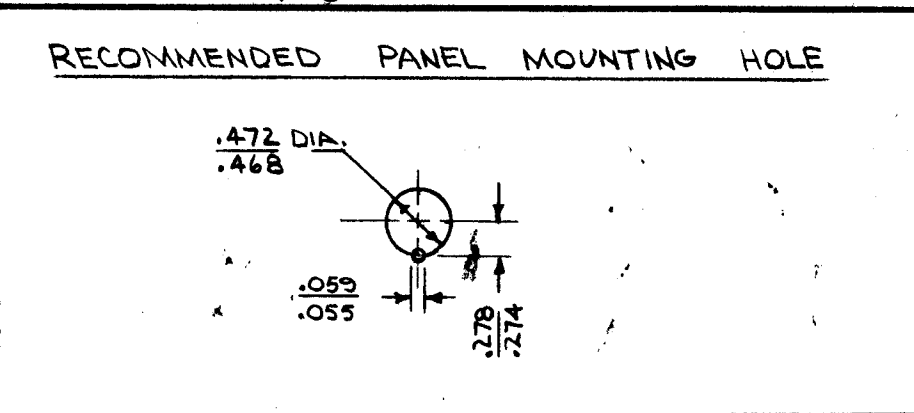
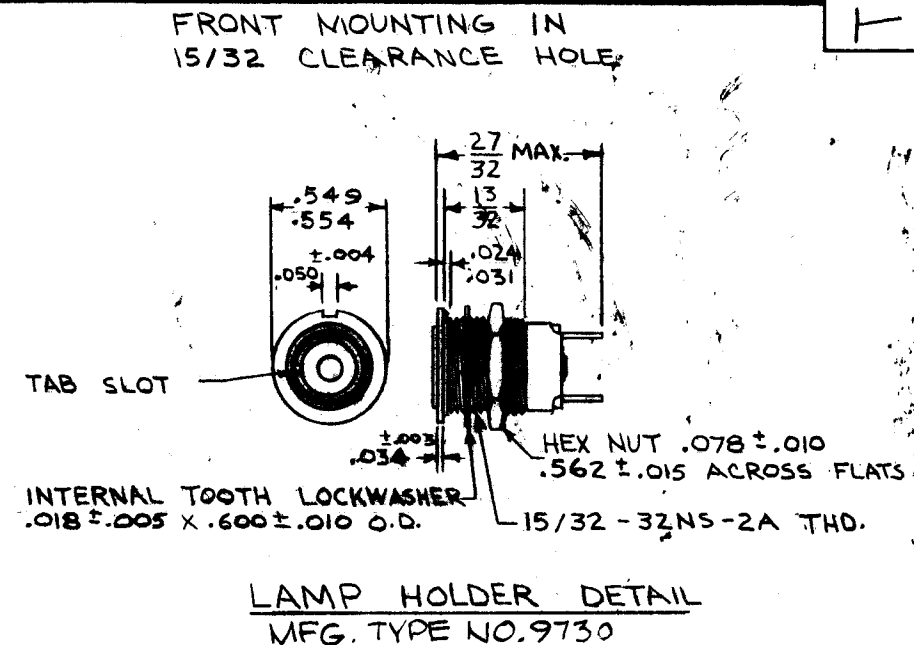
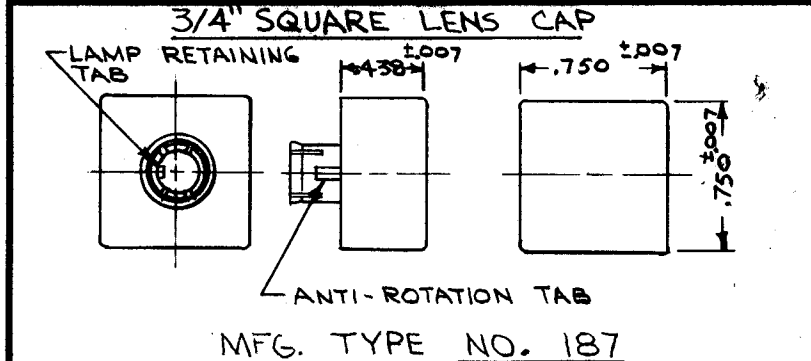
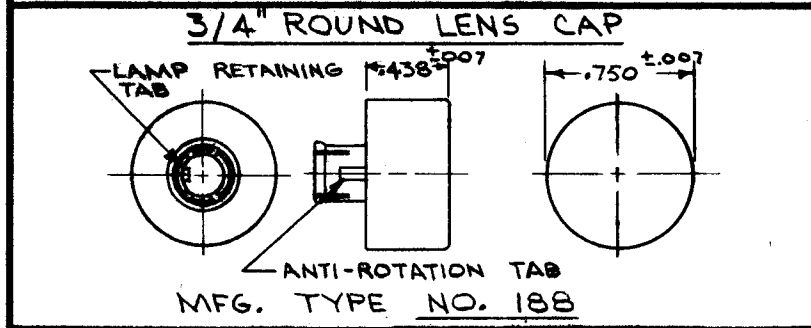
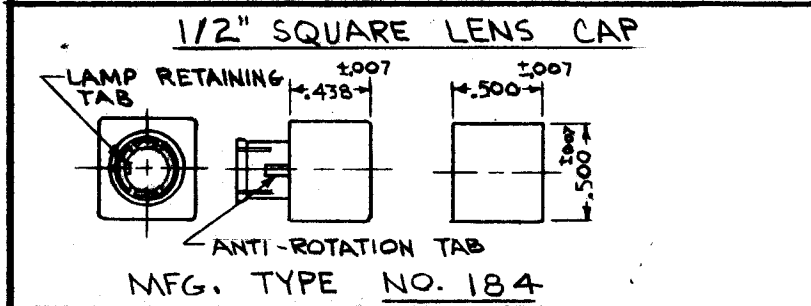
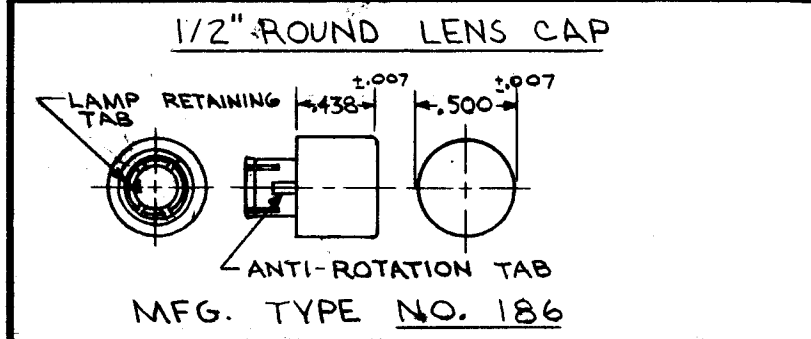


LENS SHAPE		
CODE	SIZE	STYLE
R1	1/2	ROUND
S1	1/2	SQUARE
R3	3/4	ROUND
S3	3/4	SQUARE

LENS FACE COLORS	
CODE	COLOR
R	RED
B	BLUE
G	GREEN
Y	YELLOW (AMBER)
W	WHITE

B
TS187

REVISIONS					
SYM	DESCRIPTION	DATE	E.M.N. NO.	DRAFT	CHKD APPD
X	EXPERIMENTAL RELEASE	10/11/66	X	RME	
Ø	ORIGINAL RELEASE FOR PRODUCTION	12/16/67	Ø		
A	"OVERLAY" SPEC WAS "ENGR FILL" SPEC "W" DESCRIPTION REVISED	7.25.67	18398	WHD	EFN
B	ON P/N, 10 WAS 15 & RSSA-10 WAS RSSA-16	11-9-67	C.C.	H.S.	
C	LENS CAP INFO. REV. COMPLETELY	3.17.69	19359	GE	SDM



3/4" LENS CAP	
NUMBER OF CHARACTERS	CHARACTER HEIGHT
1 (ONE LINE)	.266
2 (ONE LINE)	.203
3 (ONE LINE)	.172
4 (ONE LINE)	.141
5 (ONE LINE)	.109
6 (ONE LINE)	.078

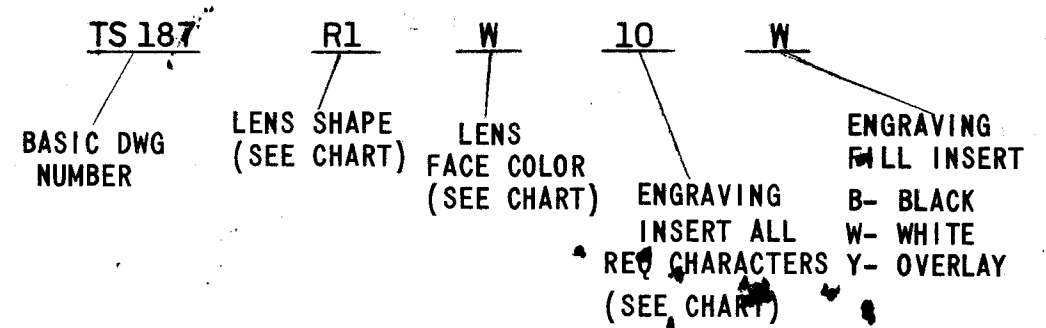
1/2" LENS CAP	
NUMBER OF CHARACTERS	CHARACTER HEIGHT
1 (ONE LINE)	.203
2 (ONE LINE)	.172
3 (ONE LINE)	.109
4 (ONE LINE)	.078

SPECIFICATIONS:
LENS CAPS
ENGRAVING:

SPECIFICATIONS

LAMP HOLDER TYPE: NON-ROTATABLE
LENS TYPE: TRANSLUCENT COLORED FACE, BLACK OPAQUE SIDES. NON-ROTATABLE
LENS CAP ENGRAVING: SEE CHART
OVERLAY: OPAQUE
MARKING IS ENGRAVED THROUGH TO LENS FACE 11/64 HIGH GOTHIC CHARACTERS. 3/4" SIZE ACCEPTS 2 CHARACTERS MAX.
LAMP HOLDER:
MATERIAL: ALUMINUM, BLACK ANODIZE
HARDWARE: STEEL, CADMIUM PLATED & YELLOW CHROMATE DIP.

TMC PART NUMBER SHALL APPEAR IN THE FOLLOWING FORMAT:



REQ'D.	ITEM	PART NUMBER	DESCRIPTION	SYMBOL
LIST OF MATERIAL				
MATERIAL			THE TECHNICAL MATERIEL CORP. MAMARONECK, NEW YORK	
FINISH			TITLE INDICATOR LAMP, MINIATURE	
UNLESS OTHERWISE SPECIFIED DIMENSIONS ARE IN INCHES AND INCLUDE CHEMICALLY APPLIED OR PLATED FINISHES			DRAWN RME	DATE 10/11/66
			CHECKED JH	DATE 12/16/66
			ELECT. DES.	DATE
			MECH. DES.	DATE
			TS187	
			SHEET	REV. LTR.

RSSA-10		
Q'TY./UNIT	MODEL USED ON	ASSY. NO.
SCALE	CODE	S401-153

THE CONTENTS OF THIS DRAWING ARE THE EXCLUSIVE PROPERTY OF THE TECHNICAL MATERIEL CORP. ITS UNAUTHORIZED USE OR REPRODUCTION IN WHOLE OR IN PART IS STRICTLY FORBIDDEN.

NOTES