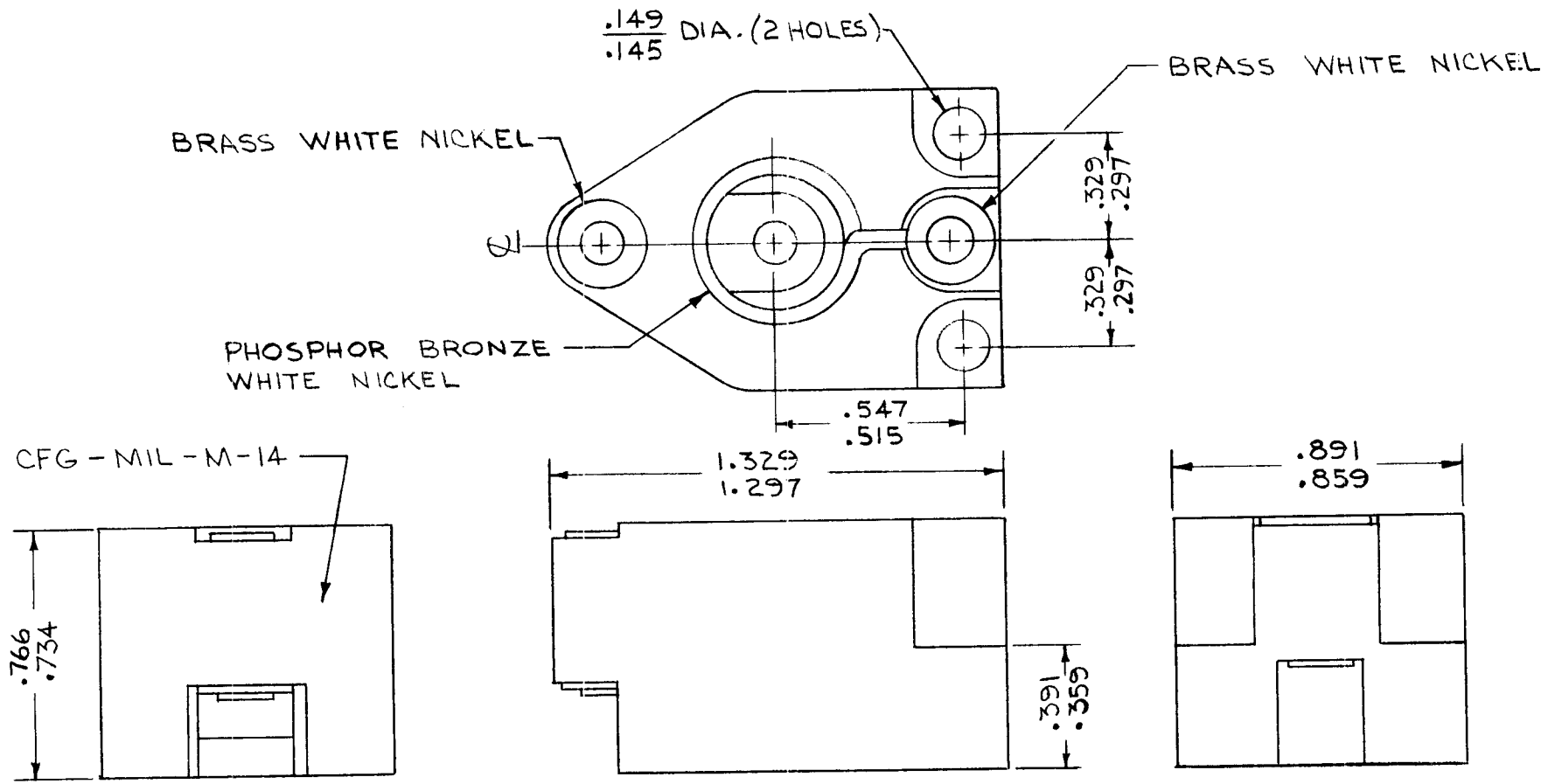


STANDARD DRAWING

REQ. PER UNIT	USED ON			TS186	Ø
	MODEL	ASS'Y. NO.	DATE		
	RAK-110-2		9-26-66		



NOTE:
 WILL ACCOMMODATE: CANDELABRA SCREW BASE LAMPS

REQ.	ITEM	PART NO.	DESCRIPTION	SYMBOL
			THE TECHNICAL MATERIEL CORP. MAMARONECK, NEW YORK	
Ø			STOCK SIZE	
X			AS NOTED	
			MATERIAL	
			TYPE & TEMPER	
			HEAT TREAT. SPEC.	
			DRAWN	
			CHECKED	
			FINAL APPROVAL	
			AS NOTED	
			FINISH & SPEC. NO.	
			ELEC. DES. APP.	
			MECH. DES. APP.	

UNLESS OTHERWISE SPECIFIED DIMENSIONS ARE IN INCHES AND INCLUDE CHEMICALLY APPLIED OR PLATED FINISHES	SCALE 2:1	DATE 9-28-66	CH. NO.	DRAFTS	CHECKER	ENG. APP.
DECIMALS .X ± .05 .XX ± .01 .XXX ± .005	FRACTIONS ± 1/64 ANGLES ± 0° 30'	CODE S401-153 503-5038-000				