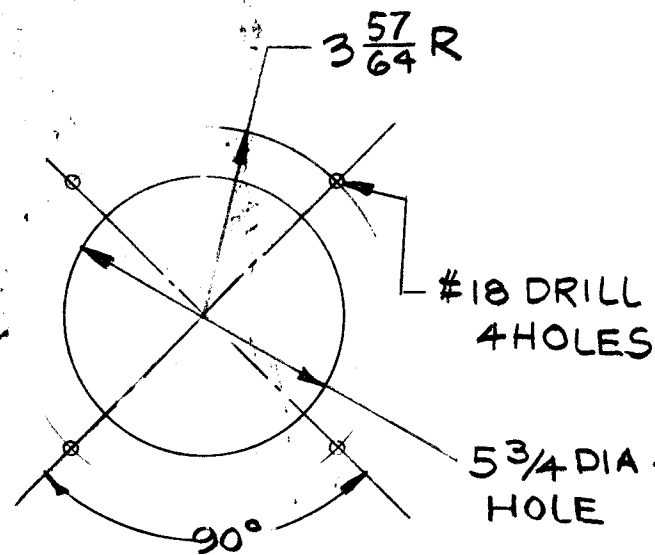
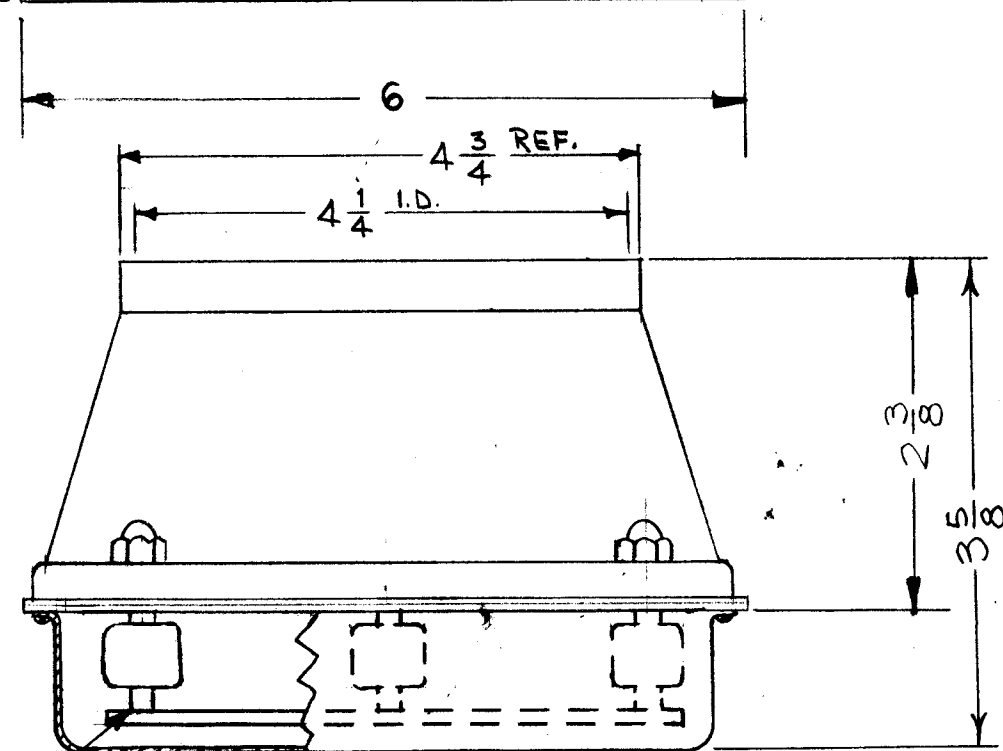
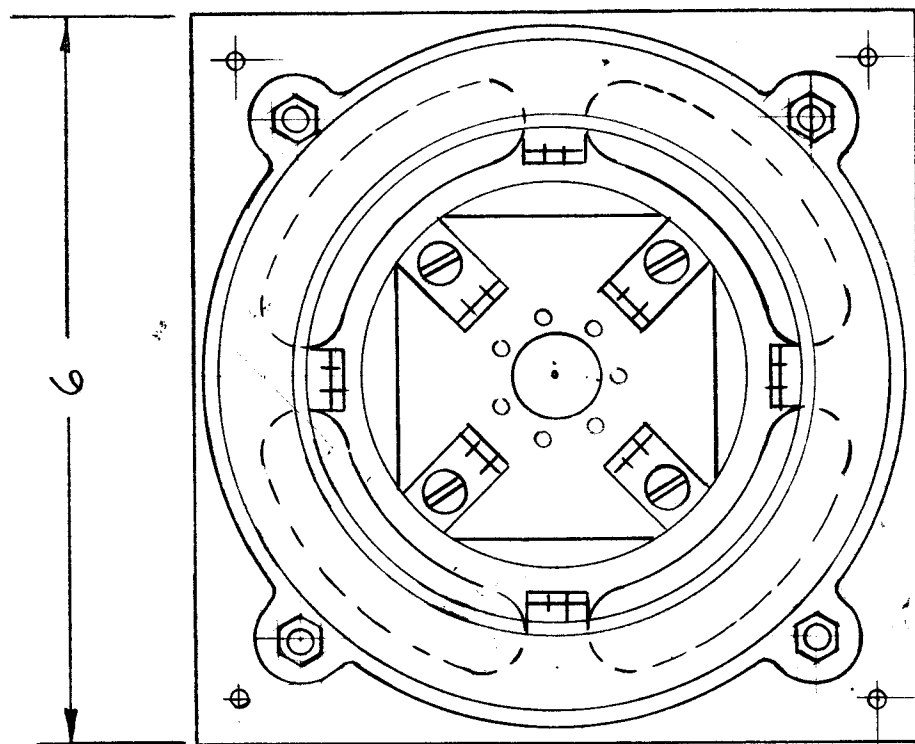


STANDARD DRAWING



CHASSIS CUTOUT

ELECTRICAL DATA:

SCREEN-GRID BY-PASS CAPACITANCE: 2000 μ fd

RADIO FREQUENCY BY-PASS CAPACITORS FOR THE SCREEN GRID ARE BUILT INTO SOCKET. THE SUPPRESSOR-GRID CONTACTS ARE GROUNDED TO FRAME.

NOTE: SOCKET FOR PL-8576/PL-264 BEAM PENTODE

TS 182

REVISIONS						
SYM	DESCRIPTION	DATE	E.M.N. NO.	DRAFT	CHKD	APPD
X ₁	NOTE FOR PL-8576/PL-264 ADDED	6.29.66	-	W40		
Ø	ORIGINAL RELEASE FOR PRODUCTION	6/29/66	Ø	CV		Hde
A	ADDED VIEW A-A & REMOVED BOTTOM COVER	6/29/66	16817	CEB	QCB	QCB
B	CHG'D DIM. FR 2 13/32 TO 2 23/64. DELETED VIEW A-A. ADDED BOTTOM COVER	12.14.66	17460	RME	QCB	QCB
C	DIM CHG 2 23/64 TO 2 3/8	6.10.69	19480	GE	Hde	FB

REQ'D.	ITEM	PART NUMBER	DESCRIPTION	SYMBOL
LIST OF MATERIAL				
MATERIAL		THE TECHNICAL MATERIEL CORP. MAMARONECK, NEW YORK		
FINISH		TITLE SOCKET, TUBE		
UNLESS OTHERWISE SPECIFIED DIMENSIONS ARE IN INCHES AND INCLUDE CHEMICALLY APPLIED OR PLATED FINISHES		DRAWN G. P. Newson	DATE 5-26-66	FINAL APPROVAL QCB
		CHECKED Hde	DATE 6-27-66	DATE 6/29/66
		ELECT. DES. a-a	DATE 6-27-66	REV. LTR. C
		MECH. DES. JC	DATE 6-28-66	SHEET TS 182

Q'TY./UNIT	MODEL USED ON	ASS'Y. NO.
SCALE ~	CODE	S401-57(PL-265A)

THE CONTENTS OF THIS DRAWING ARE THE EXCLUSIVE PROPERTY OF THE TECHNICAL MATERIEL CORP. ITS UNAUTHORIZED USE OR REPRODUCTION IN WHOLE OR IN PART IS STRICTLY FORBIDDEN.

NOTES