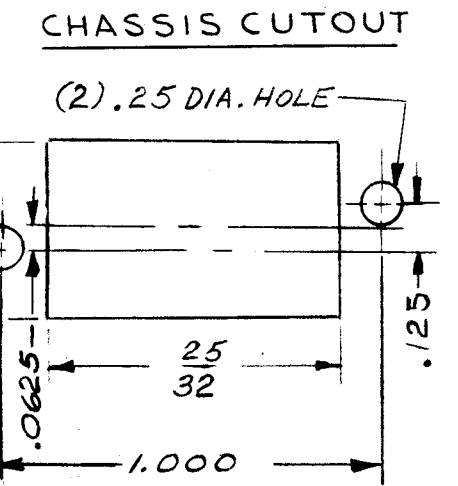
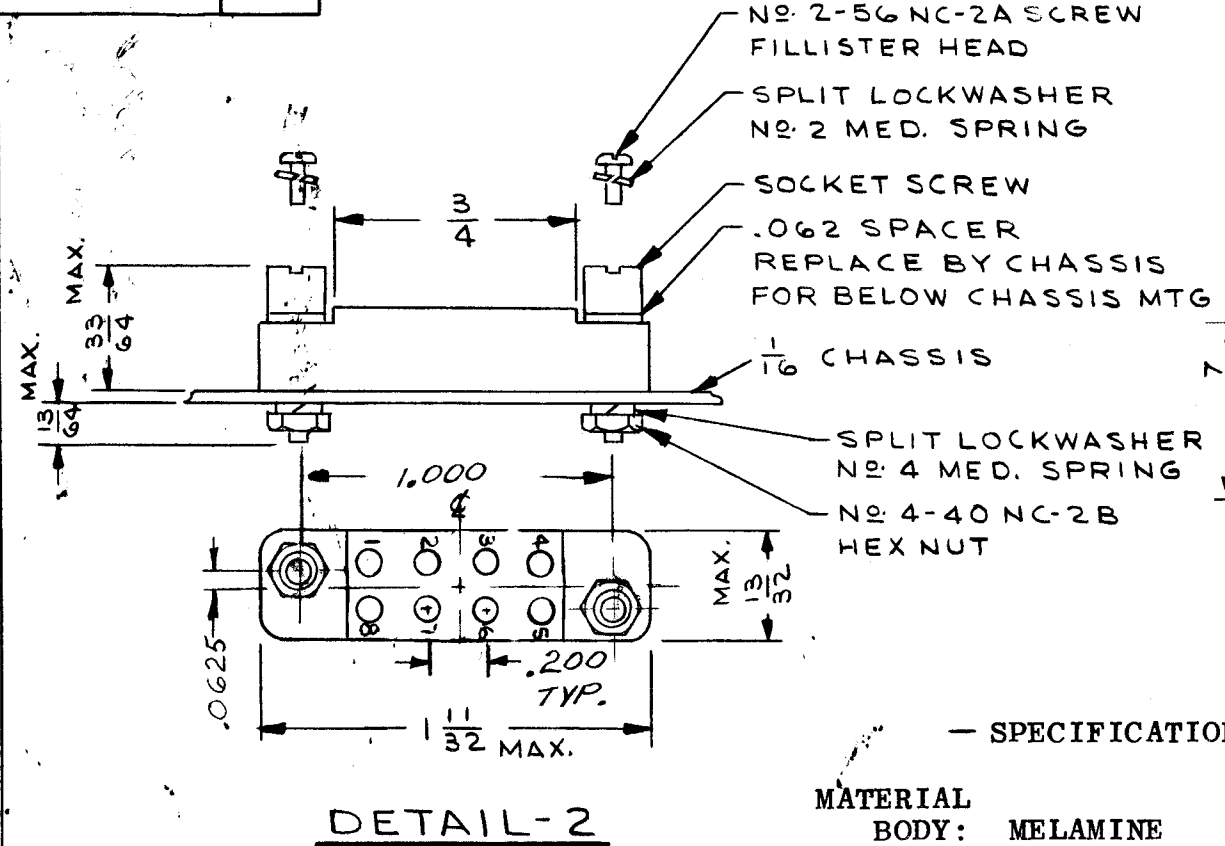
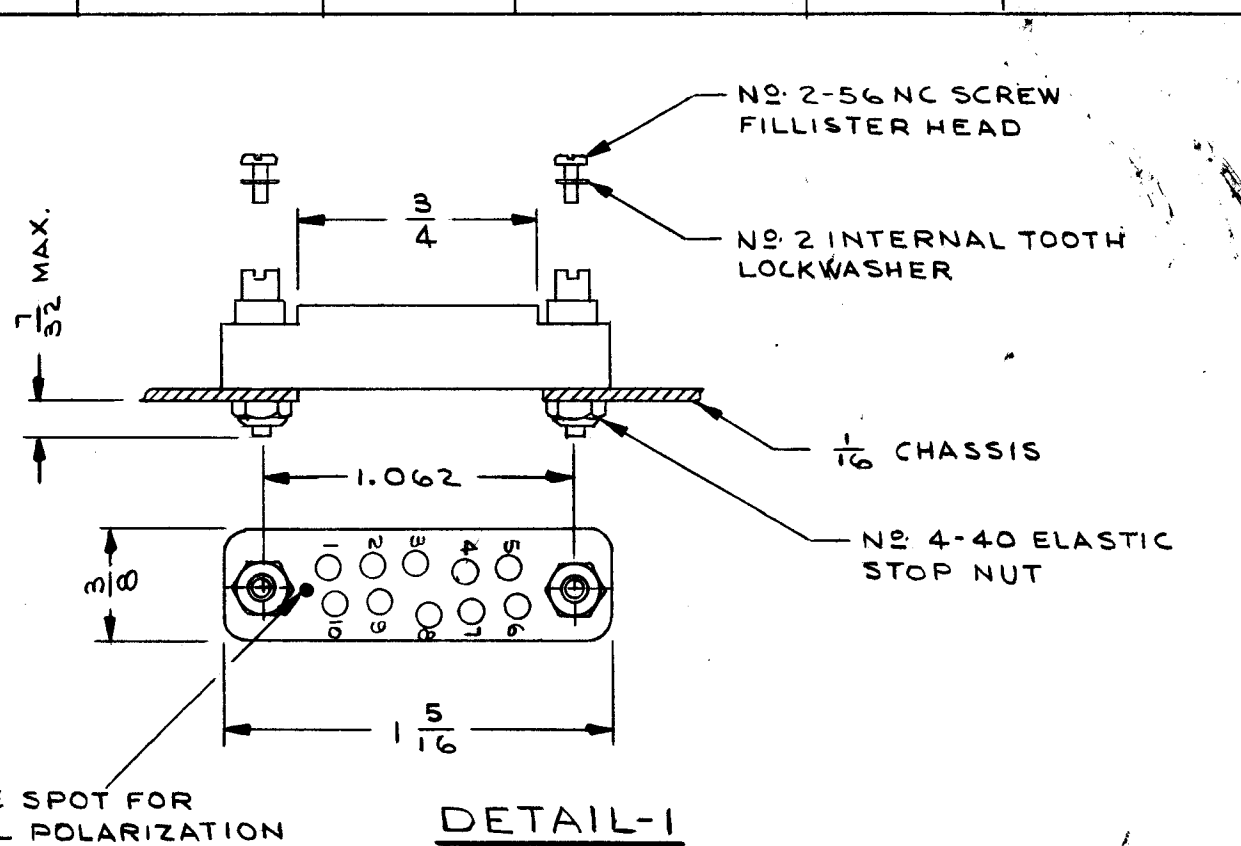


# STANDARD DRAWING

TMC PART NO.	MFG. PART NO.	MATERIAL	MOUNTING	DETAIL
TS173-1	P6F-8	MELAMINE	ABOVE CHASSIS	1
TS173-2	P6F-7	MELAMINE	BELOW CHASSIS	1
TS173-3	J6F-8	MELAMINE	ABOVE OR BELOW CHASSIS	2

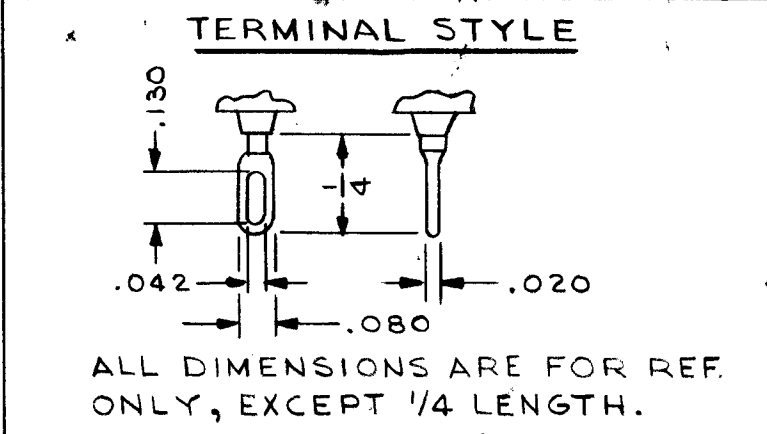
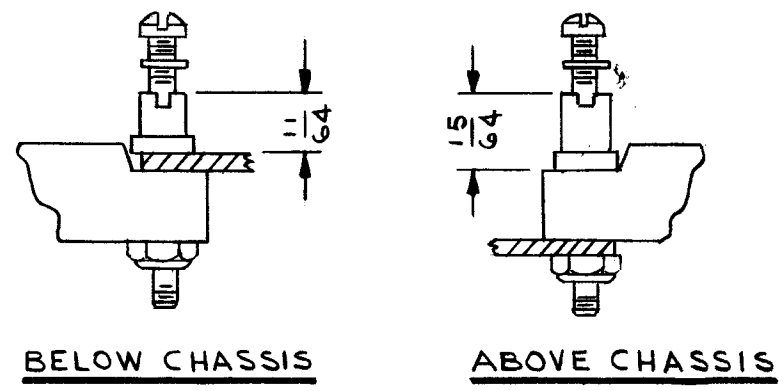
TS173

REVISIONS						
SYM	DESCRIPTION	DATE	E.M.N. NO.	DRAFT	CHKD	APPD
X <sub>1</sub>	REVISED SPEC. NOTES; ADDED -8 TO JGF; ADDED MAX. TO 13/32 & 1 1/32 DIM'S.	9/10/65		JL	J.M.	<i>[Signature]</i>
Ø	ORIGINAL RELEASE FOR PRODUCTION	9/10/65	Ø	AKV		



— SPECIFICATIONS —

**MATERIAL**  
 BODY: MELAMINE  
 TERMINAL STYLE: SEE DETAIL  
 CONTACTS: GRADE "A" SPRING TEMPER PHOSPHOR BRONZE GOLD PLATE OVER SILVER PLATE  
 DIELECTRIC STRENGTH: 1000 VOLTS RMS BETWEEN MUTUALLY INSULATED TERMINALS AND BETWEEN TERMINALS AND HARDWARE.



REQ'D.	ITEM	PART NUMBER	DESCRIPTION	SYMBOL
<b>LIST OF MATERIAL</b>				
MATERIAL		SEE ABOVE	<b>THE TECHNICAL MATERIEL CORP.</b> MAMARONECK, NEW YORK	
FINISH		—	TITLE SOCKET, RELAY	
UNLESS OTHERWISE SPECIFIED DIMENSIONS ARE IN INCHES AND INCLUDE CHEMICALLY APPLIED OR PLATED FINISHES		DRAWN J. LESHINSKI	DATE 8/9/65	FINAL APPROVAL <i>[Signature]</i>
DECIMALS .X ± .05 .XX ± .01 .XXX ± .005		TOLERANCES	DATE 9/9/65	DATE 9/10/65
FRACTIONS ± 1/64 ANGLES ± 0° 30'			DATE 9/10/65	DATE 9/10/65
THE CONTENTS OF THIS DRAWING ARE THE EXCLUSIVE PROPERTY OF THE TECHNICAL MATERIEL CORP. ITS UNAUTHORIZED USE OR REPRODUCTION IN WHOLE OR IN PART IS STRICTLY FORBIDDEN.		TS173		Ø
SCALE NONE		SHEET		REV. LTR.

NOTES