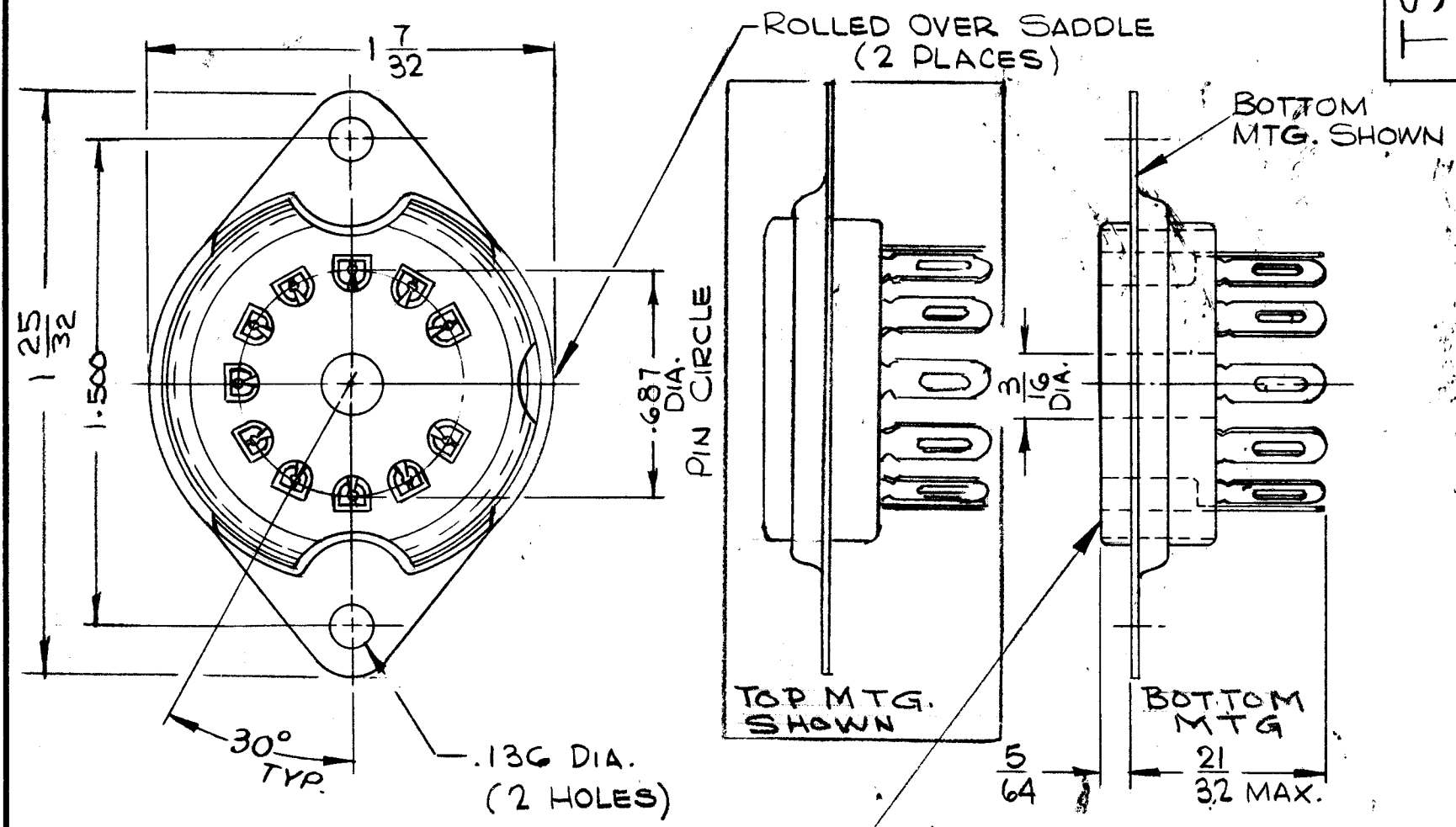


STANDARD DRAWING

TMC PART NO.	MFR. PART NO.	MOUNTING	CONTACTS	SADDLE
TS170-1	CP464-2	TOP	MS116 BE. CU. CAD. PLATED	MS227 CRS CAD. PLATED
TS170-2	CP464-1	BOTTOM	MS116 BE. CU. CAD. PLATED	MS227 CRS CAD. PLATED

TS170

REVISIONS					
SYM	DESCRIPTION	DATE	E.M.N. NO.	DRAFT	CHKD
Ø	ORIGINAL RELEASE FOR PROD	1/10/66	Ø		



BODY MATERIAL
PRECISION-MOLDED
MYCALEX 410
GLASS-BONDED MICA

SPECIFICATIONS

DISSIPATION FACTOR - 1 MEGACYCLE	0.0011
DIELECTRIC CONSTANT - 1 MEGACYCLE	9.3
LOSS FACTOR - 1 MEGACYCLE	0.010
DIELECTRIC STRENGTH - VOLTS/MIL, 1/8 IN. THICKNESS	400.
ARC RESISTANCE, SECONDS (ASTM)	250.
HEAT DISTORTION TEMPERATURE (ASTM D648-264 PSI)	690°F
MAXIMUM TEMP. ENDURANCE (UNSTRESSED)	650°F
THERMAL EXPANSION COEF., 10 ⁻⁶ /°C., 0-300°C	10.7
THERMAL CONDUCTIVITY - CAL/CM ² -SEC(°C./CM) AT 100°C	0.0011
TENSILE STRENGTH - PSI	5000.
COMPRESSIVE STRENGTH - PSI	40,000.
FLEXURAL STRENGTH - PSI	14,000.
MODULUS OF ELASTICITY, 10 ⁶ PSI, STATIC LOADING	7.5
IMPACT STRENGTH, CHARPY - FT.-LB/SQ.IN.	1.5
SPECIFIC GRAVITY	3.8
ROCKWELL M HARDNESS	115-125.

NOTES

Q'TY./UNIT	MODEL USED ON	ASS'Y. NO.
2	TLLA-1	
2	RFTA-1	
2	VLLA-1	
SCALE	CODE	
	C	S401-420

THE CONTENTS OF THIS DRAWING ARE THE EXCLUSIVE PROPERTY OF THE TECHNICAL MATERIEL CORP. ITS UNAUTHORIZED USE OR REPRODUCTION IN WHOLE OR IN PART IS STRICTLY FORBIDDEN.

REQ'D.	ITEM	PART NUMBER	DESCRIPTION	SYMBOL
BUDETTI LIST OF MATERIAL				
MATERIAL			THE TECHNICAL MATERIEL CORP. MAMARONECK, NEW YORK	
AS NOTED				
FINISH			TITLE	
AS NOTED			SOCKET, TUBE, 11 PIN	
UNLESS OTHERWISE SPECIFIED DIMENSIONS ARE IN INCHES AND INCLUDE CHEMICALLY APPLIED OR PLATED FINISHES			DRAWN H. AUSTIN DATE 12-13-65	FINAL APPROVAL <i>[Signature]</i> DATE 1/10/66
DECIMALS .X ± .05 .XX ± .01 .XXX ± .005			CHECKED <i>[Signature]</i> DATE 1-10-66	DATE 1-10-66 SHEET TS170
FRACTIONS ± 1/64 ANGLES ± 0° 30'			MECH. DES. DATE	REV. LTR.