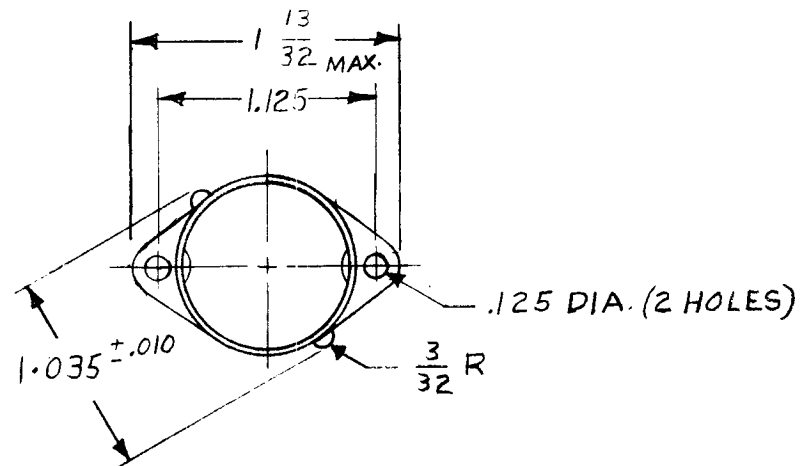


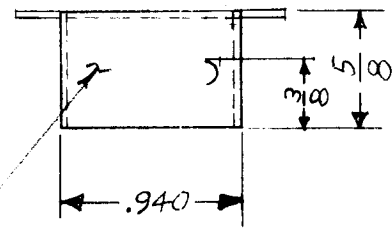
STANDARD DRAWING

TMC NO.	MFG. NO.	SOCKET USED WITH	TMC SOCKET NO
TS-169-1	9716-11	9 PIN MINATURE	TS-131

REQ. PER UNIT	USED ON			TS-169	○
	MODEL	ASS'Y. NO.	DATE		
1	GPE-1A				



NOTE:
FOR USE WITH BOTTOM MOUNT SOCKET WHEN TUBE SHIELD IS REQUIRED



METAL STAMP TMC PART NO. 1/8 HIGH GOTHIC.

SYM	DESCRIPTION	DATE	CH. NO.	DRAFTS	CHECKER	ENG. APP.	REQ. ITEM	PART NO.	DESCRIPTION	SYMBOL	
							.014	$\begin{matrix} +.005 \\ -.002 \end{matrix}$	STOCK SIZE	○	
	ORIGINAL RELEASE FOR PRODUCTION	3/31/64						BRASS	THE TECHNICAL MATERIEL CORP. MAMARONECK, NEW YORK	○	
	EXPERIMENTAL RELEASE	3/23/64			AM.			MATERIAL	BASE, SHIELD, TUBE	○	
	UNLESS OTHERWISE SPECIFIED DIMENSIONS ARE IN INCHES AND INCLUDE CHEMICALLY APPLIED OR PLATED FINISHES						SCALE			A.M.	@ 3-24-64
						1:1			DRAWN	CHECKED	FINAL APPROVAL
	DECIMALS .X ± .05 .XX ± .01 .XXX ± .005	TOLERANCES	FRACTIONS ± 1/64 ANGLES ± 0° 30'	CODE C	S401-181			S-135 NICKEL PLATE	ELEC. DES. APP.	MECH. DES. APP.	TS-169
									RAC	3-31-64	○