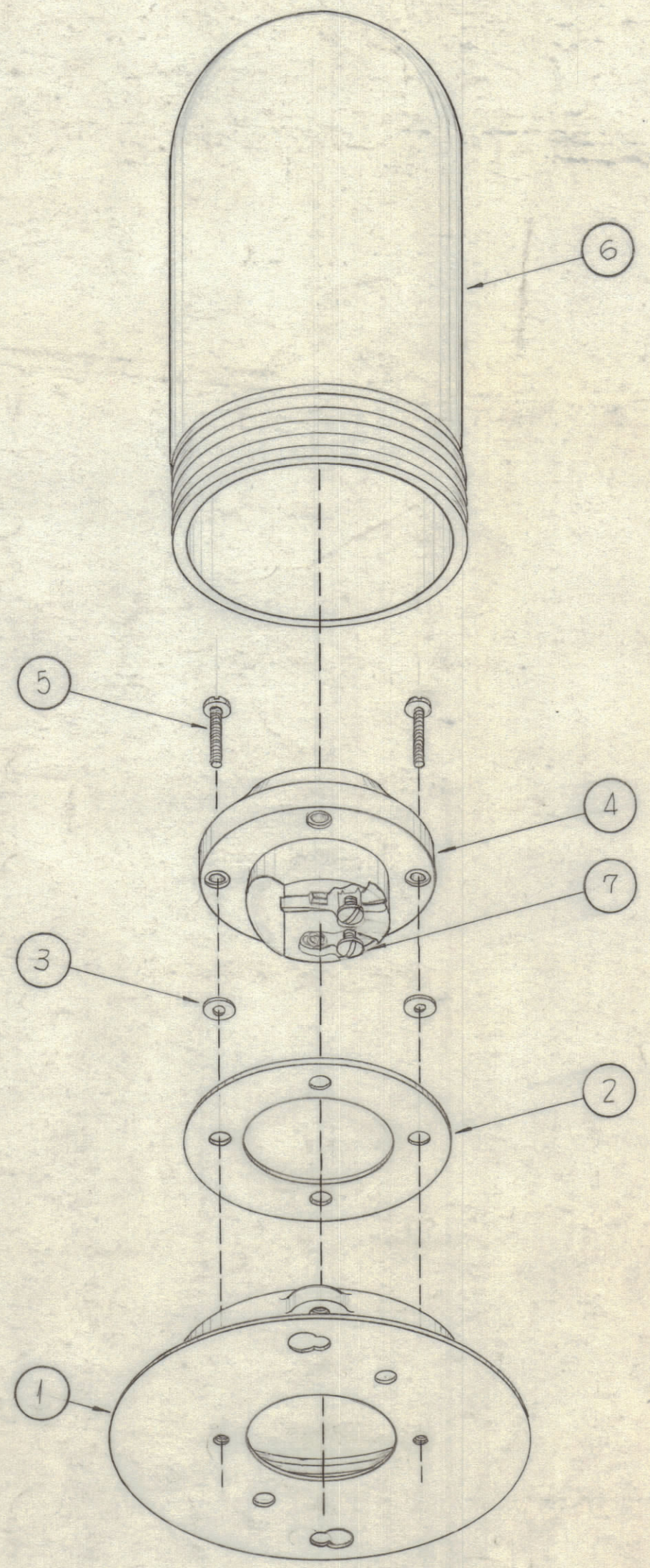
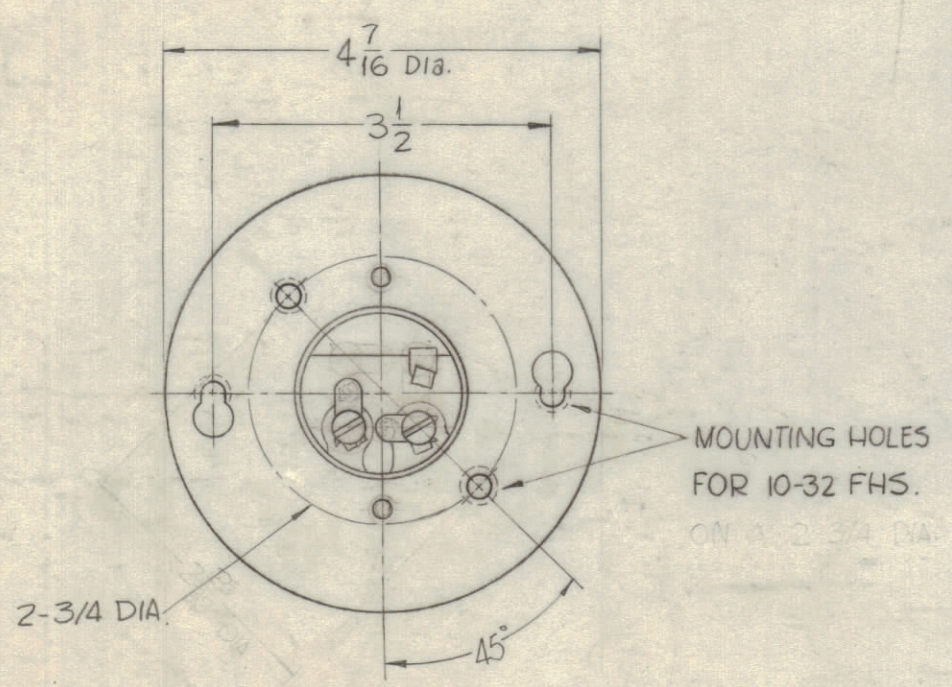
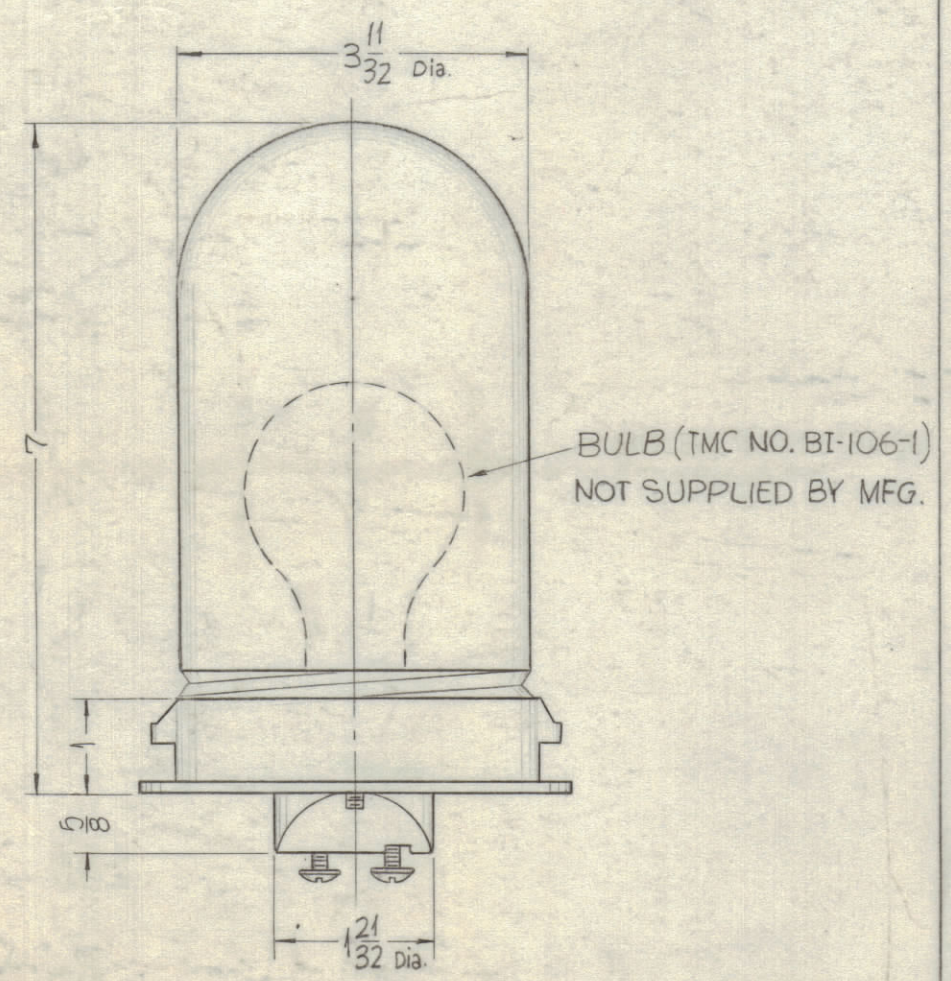
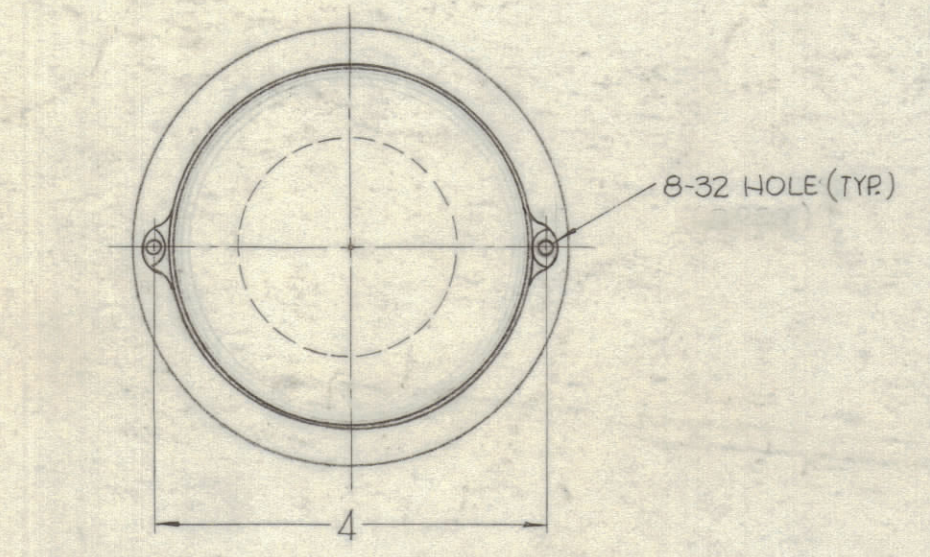


REVISIONS							
ZONE	SYM	DESCRIPTION	DATE	E.M.N. NO.	DRAFT	CHKD	APPD
	0	ORIGINAL RELEASE FOR PRODUCTION	5.18.64				
B2	A	ITEMS (1) THRU (7) WAS "TS ----"					
A4		ADDITIONS TO MODEL CHART	7.14.64	11768	989	JOB	



MILLER CO. (AC-1040) % GE SUPPLY CORP. VO-60

REQ'D.	ITEM	PART NUMBER	DESCRIPTION	SYMBOL
2	7	TS163-52	SCREWS, TERMINAL	
1	6	TS163-L	LENS, GLOBE - RUBY	
2	5	TS163-51	SCREW, MACHINE 8-32 X 7/8 (R.H.)	
1	4	TS163-H	LAMP HOLDER	
2	3	TS163-R1	RING, RETAINER (PAPER)	
1	2	TS163-G1	GASKET, LENS, CORK 3-3/16 O.D. 1-13/16 I.D.	
1	1	TS163-B1	BASE, ALUMINUM CASTING	

F. BUDETTI				LIST OF MATERIAL			
MATERIAL				THE TECHNICAL MATERIEL CORP. MAMARONECK, NEW YORK			
FINISH				TITLE SOCKET, LAMP W/LENS			
DRAWN <i>granfilippo</i>		DATE 1-22-63		FINAL APPROVAL <i>[Signature]</i>		DATE	
CHECKED <i>aa</i>		DATE		DATE		DATE	
ELECT. DES. <i>[Signature]</i>		DATE 7/16/64		DATE		DATE	
MECH. DES. <i>[Signature]</i>		DATE		DATE		DATE	

1	GPT-200K	API09
1	GPT-200K	APIII
Q'TY./UNIT	MODEL USED ON	ASS'Y. NO.
SCALE	CODE	

NOTES

THE CONTENTS OF THIS DRAWING ARE THE EXCLUSIVE PROPERTY OF THE TECHNICAL MATERIEL CORP. ITS UNAUTHORIZED USE OR REPRODUCTION IN WHOLE OR IN PART IS STRICTLY FORBIDDEN.

TS-163
A