

THE CONTENTS OF THIS DRAWING ARE THE EXCLUSIVE PROPERTY OF THE TECHNICAL MATERIEL CORP. ITS UNAUTHORIZED USE FOR REPRODUCTION IN WHOLE OR IN PART IS STRICTLY FORBIDDEN.

REQ. PER UNIT

USED ON

MODEL

ASS'Y. NO.

DATE

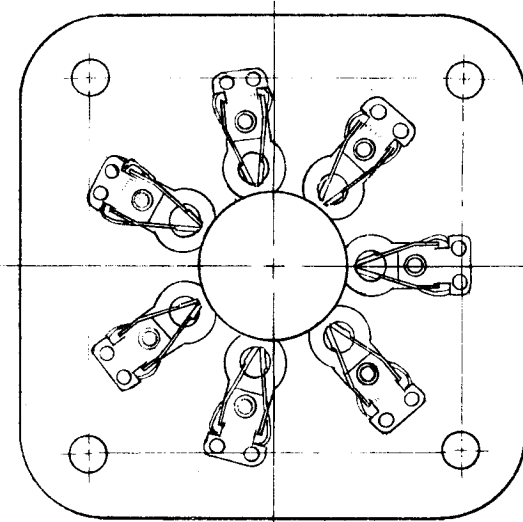
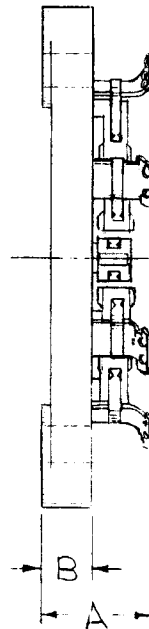
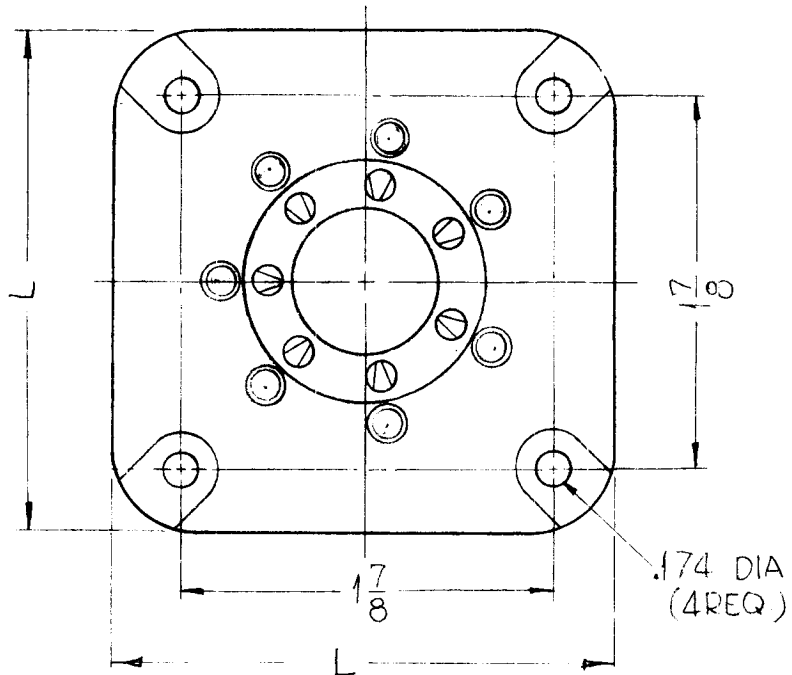
GPT-200K

11-30-62

TS-162

0

TMC PART NO.	MFR. PART NO.	TYPE	DIMENSIONS			GENERAL SPECIFICATIONS
			A	B	L	
TS-162-1	122-237-1	STANDARD	9/16	1/4	2-5/8	GLAZED STEATITE BASES, DC-200 TREATED. CONTACTS-PLATED BRASS WITH STEEL SPRINGS. ETCHED ALUMINUM SHIELDS ON SHIELDED TYPES.
TS-162-2	122-237-100	INDUSTRIAL	9/16	1/4	2-5/8	GLAZED STEATITE BASES, DC-200 TREATED. CONTACTS-PHOSPHUR BRONZE WITH BERYLLIUM COPPER SPRINGS, .0005 SILVER PLATED. SHIELDS ON SHIELDED TYPES ARE IRIIDITE NO. 14 TREATED ALUMINUM. FUNGUS RESISTANT CUSHION WASHERS UNDER CONTACTS.
TS-162-3	122-237-200	MILITARY	9/16	1/4	2-5/8	GLAZED STEATITE BASES, DC-200 IMPREGNATED. CONTACTS-PHOSPHUR BRONZE AND BERYLLIUM COPPER SPRINGS SILVER PLATED .001 - HOT TINNED DIPPED SOLDER TERMINALS. FUNGUS RESISTANT GLASS BASE MELAMINE CUSHION WASHERS, IRIIDITE NO. 14 TREATED ALUMINUM SHIELDS ON SHIELDED TYPES. ENTIRE SOCKET PROTECTED FOR 200 HOUR SALT SPRAY TEST.



REQ.	ITEM	PART NO.	DESCRIPTION			SYMBOL		
			THE TECHNICAL MATERIEL CORP. MAMARONECK. NEW YORK					
			STOCK SIZE					
			SOCKET, TUBE, GIANT 7 PIN					
			MATERIAL					
			SRG	JCS	RDC			
			TYPE & TEMPER	HEAT TREAT. SPEC.	DRAWN	CHECKED	FINAL APPROVAL	
					DOB	aa	TS-162	0
			FINISH & SPEC. NO.		ELEC. DES. APP.	MECH. DES. APP.		

UNLESS OTHERWISE SPECIFIED DIMENSIONS ARE IN INCHES AND INCLUDE CHEMICALLY APPLIED OR PLATED FINISHES

SCALE

DECIMALS
X ± .05
.XX ± .01
.XXX ± .005

FRACTIONS
± 1/64
ANGLES
± 0° 30'

TOLERANCES

CODE C S401-47

ORIGINAL RELEASE FOR PRODUCTION 3-3-64 A.M.

SYM DESCRIPTION DATE CH. NO. DRAFTS CHECKER ENG. APP.