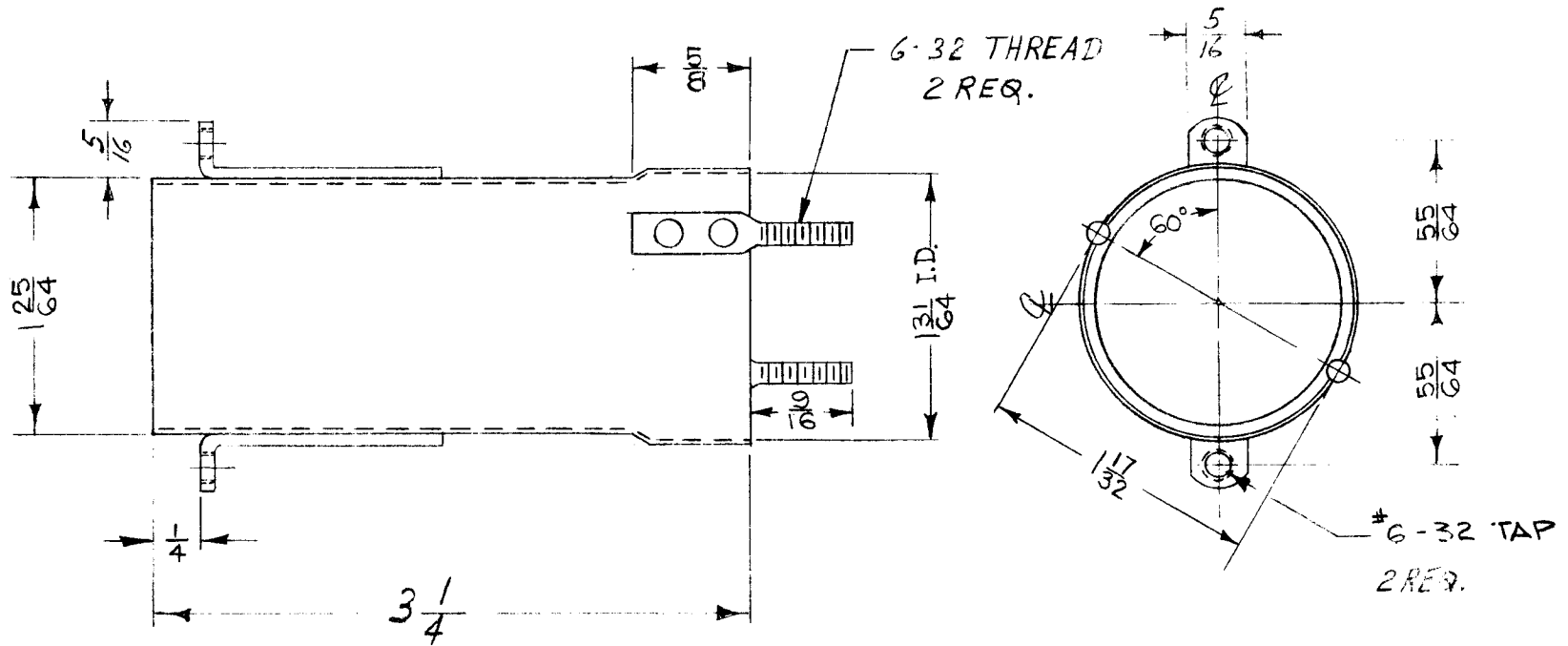


REQ. PER. UNIT	USED ON			TS-151	B
	MODEL	ASS'Y. NO.	DATE		
1	SBG	CLL-1	8-1-60		



								REQ. ITEM	PART NO.	DESCRIPTION			SYMBOL	
								.025		THE TECHNICAL MATERIEL CORP.				
								STOCK SIZE		MAMARONECK, NEW YORK				
								MU METAL		SHIELD, TUBE				
								MATERIAL						
ISSUE	ITEM	CHANGED FROM	DATE	CH. NO.	DRAFTS	CHECKER	ENG. APP.							
TOLERANCES			SCALE: 540:101 (80801-C)											
DEC. DIM. ±			MAXIMUM ALLOWABLE TOLERANCES HAVE BEEN DETERMINED AND ANY DEVIATIONS WILL BE CAUSE FOR REJECTION.					TYPE & TEMPER	HEATTREAT. SPEC.	DRAWN	CHECKED	FINAL APPROVAL		
FRAC. DIM. ± 1/64			REMOVE ALL BURRS AND SHARP EDGES					BLACK ENAMEL				TS-151	B	
ANGULAR DIM. ±								FINISH & SPEC. NO.	ELEC. DES. APP	MECH. DES. APP				