

LENS COLORS AVAILABLE		
TMC CODE	MFG. CODE	LENS COLOR
1	1	Red
2	2	Green
3	3	Amber
4	4	Blue
5	5	White (See Note)
6	6	Yellow
7	7	Clear

LENS TYPES		
TMC CODE	MFG. CODE	LENS TYPE
N	123	Unfrosted
F	121	Frosted

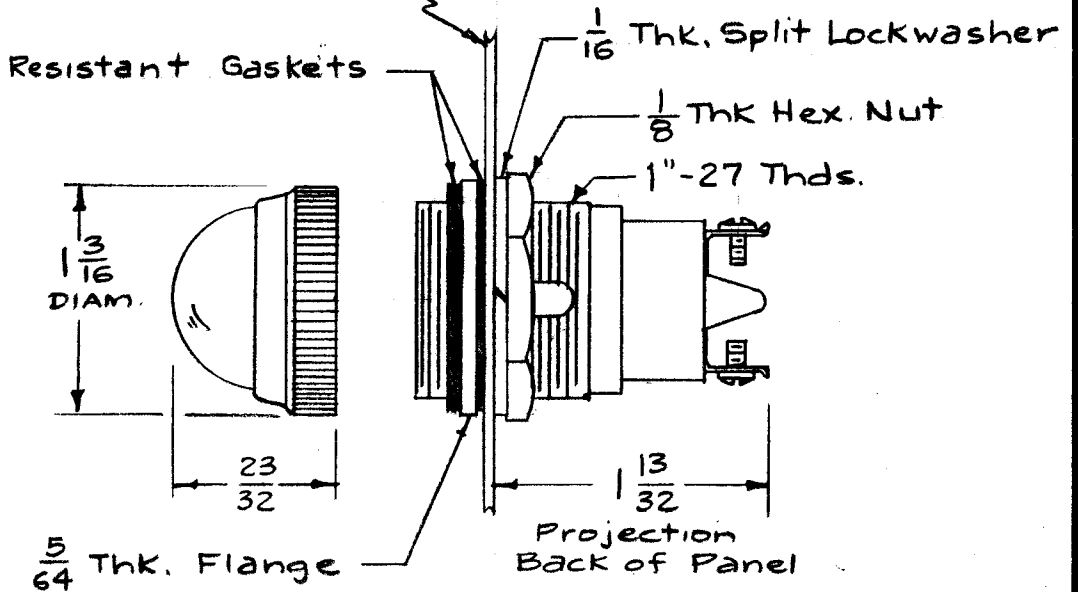
RESISTOR TYPE		
TMC CODE	TYPE	APPROX. LIFE (HOURS)
1	w/o Built-in Res.	USE EXT. RESISTOR
2	w/Built-in 10K Res.	1000
3	w/Built-in 15K Res.	2500
4	w/Built-in 30K Res.	7500

LAMP BASE TYPE				
TMC CODE	MFG. CODE	LAMP BASE	FOR LAMP NO.	FOR TMC LAMP NO.
S	3114(w/Res)	Screw Base	NE-45	BI-
B	5406 (w/Res) 3506 (w/o Res)	Bayonet	NE-48	BI-103-2

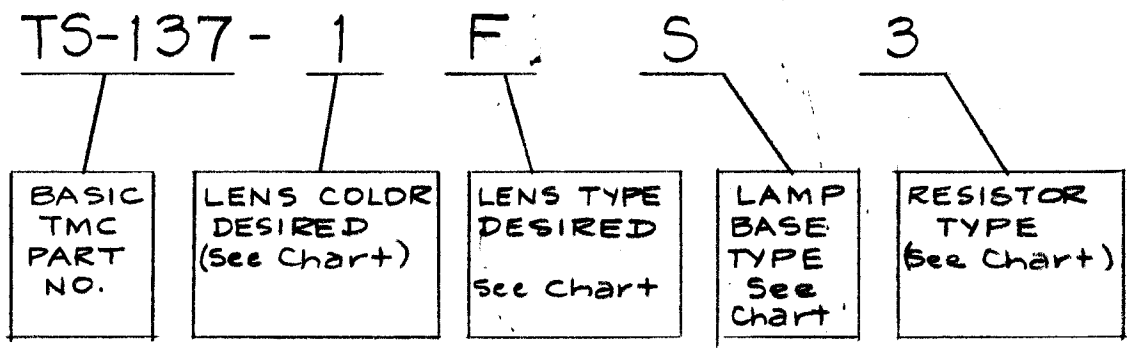
TS-137

NOTE- Green (2), Blue (4), & White (5), not recommended for use with Neon Lamps. White Lens is always unfrosted & translucent.

1/16" Thk. Panel (Mtg.) For Ref. Only.



TMC PART NO. WILL BE IN THE FOLLOWING FORM:



EXAMPLE- TS-137-6NB3 = Socket, Lamp, Yellow Lens, Unfrosted, For Bayonet Base Lamp, with Built-in 15K Resistor.

NOTICE TO PERSONS RECEIVING THIS DRAWING

THE TECHNICAL MATERIEL CORPORATION claims proprietary right in the material disclosed hereon. This drawing is issued in confidence for engineering information only and may not be reproduced or used to manufacture anything shown hereon without permission from THE TECHNICAL MATERIEL CORPORATION to the user. This drawing is loaned for mutual assistance and is subject to recall at any time.

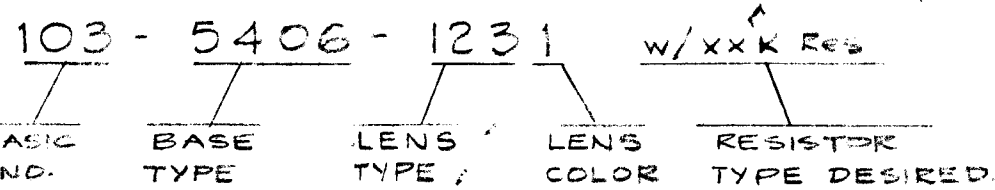
Property of:
THE TECHNICAL MATERIEL CORPORATION
MAMARONECK, NEW YORK

FOR SPARE PARTS REPLACEMENT OF LENS ONLY, SEE TMC DWG. LI-106.

FINISH - POLISHED CHROME

Note- Lamp is NOT supplied with socket.

FOR PURCHASING ONLY.
MFG. NO. DESIGNATION:



Ref- DIALCO

REQ. ITEM	PART NO.	DESCRIPTION	SYMBOL
THE TECHNICAL MATERIEL CORP. MAMARONECK, NEW YORK			
STOCK SIZE		SOCKET, LAMP, W/LENS (NEON)	
MATERIAL			
TYPE & TEMPER	HEAT TREAT. SPEC.	DRAWN	CHECKED
FINISH & SPEC. NO.		ELEC. DES. APP.	MECH. DES. APP.

ISSUE	ITEM	CHANGED FROM	DATE	CH. NO.	DRAFTS	CHECKER	ENG. APP.
C		TMC PT. NO. EXAMPLE 15K WAS 10K	6-24-63	14326	D.V.V.	JCB	JC
B	1	Spare Parts Note Added	4-26-62	6641	EE	JCB	BP
A	1	Added Lens Type "F" Added Info. to Note	9/16/59	1300	KB	JCB	DMB

TOLERANCES: DEC. DIM. ±, FRAC. DIM. ±, ANGULAR DIM. ±

SCALE: MAXIMUM ALLOWABLE TOLERANCES HAVE BEEN DETERMINED AND ANY DEVIATIONS WILL BE CAUSE FOR REJECTION. REMOVE ALL BURRS AND SHARP EDGES

REQ. PER UNIT: MODEL, PROJECT NO., ASS'Y. NO., DATE

USED ON

TS-137 C