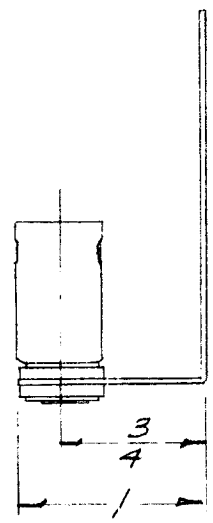
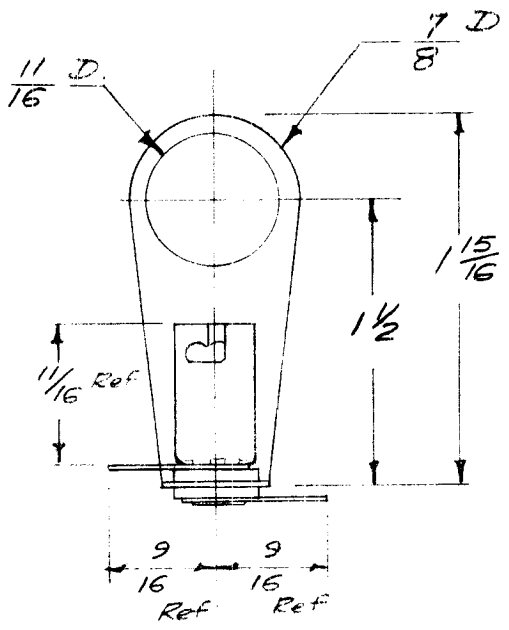
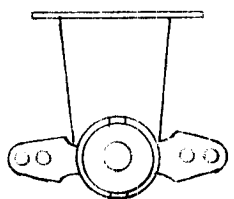


REQ. PER UNIT	USED ON			75-133
	MODEL	ASS'Y. NO.	DATE	
2	MSE-4			



For T-3/4 Bayonet Base

For LI-101 Lens (TMC NO.)
Ref. DIALCO # 7-625-180

ISSUE	ITEM	CHANGED FROM	DATE	CH. NO.	DRAFTS	CHECKER	ENG. APP.
		TOLERANCES					
		DEC. DIM. ±					
		FRAC. DIM. ±					
		ANGULAR DIM. ±					

REQ. ITEM	PART NO.	DESCRIPTION	SYMBOL
		THE TECHNICAL MATERIEL CORP. MAMARONECK, NEW YORK	
		SOCKET, LAMP	
		MATERIAL	
		16 7/19/58	
		DRAWN	
		CHECKED	
		FINAL APPROVAL	
		P.L.K.	
		ELEC. DES. APP.	
		MECH. DES. APP.	
		FINISH & SPEC. NO.	
			TS-133