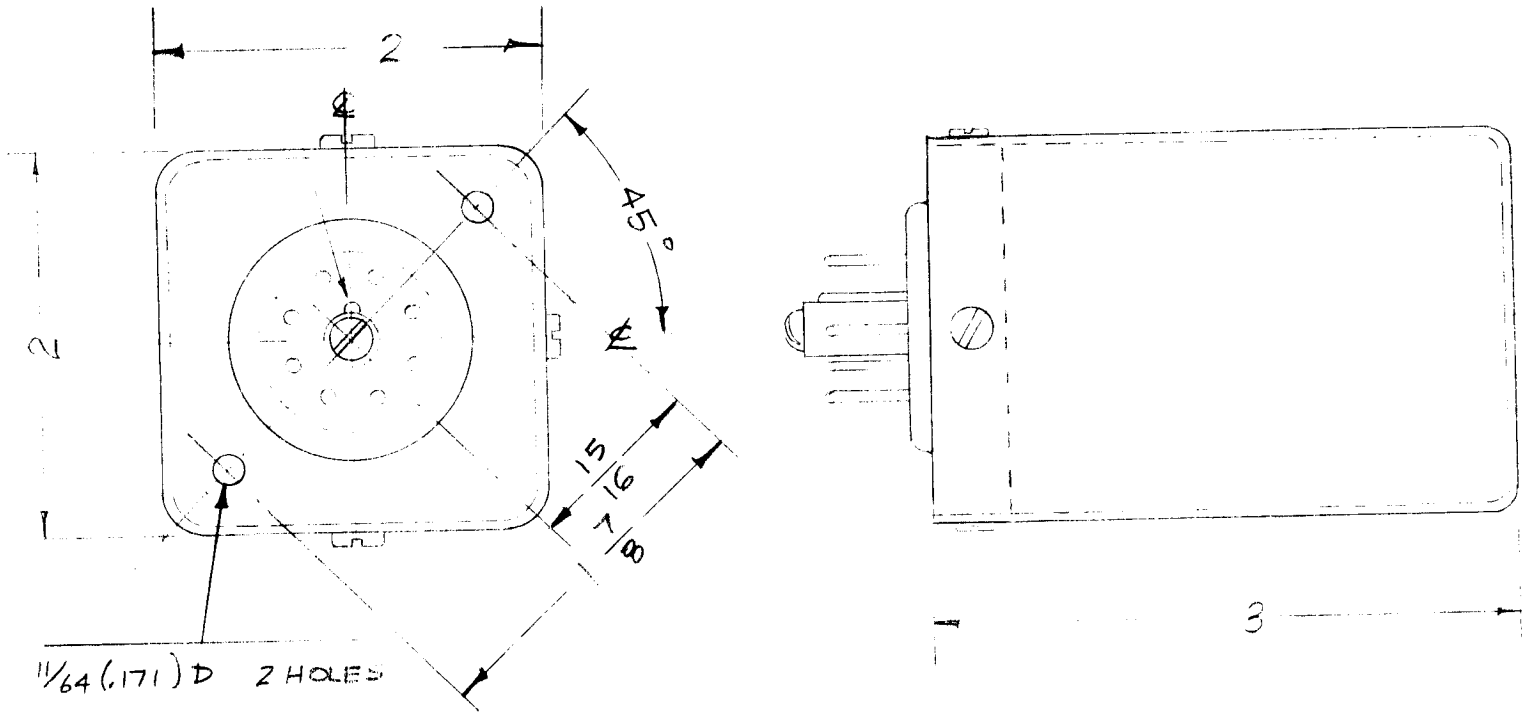


REQ. PER UNIT	USED ON			TS-126	B
	MODEL	ASS'Y. NO.	DATE		
1	RL-110		9-16-55		

NOTE POSITION OF KEY-WAY ON ϕ OF SCREWS



REF: VECTOR ELECTRIC CO. CAT. NO. C12 (MODIFIED)
TMC No. PO-106-6NT (MODIFIED)

ISSUE	ITEM	CHANGED FROM	DATE	CH. NO.	DRAFTS	CHECKER	ENG. APP.	REQ. ITEM	PART NO.	DESCRIPTION	SYMBOL	
B	1	ON VENDOR REF, TMC NO WAS PO-106	5-20-63	9108						THE TECHNICAL MATERIEL CORP. MAMARONECK, NEW YORK PLUS IN SOCKET	B	
A	1	1/64 D. HOLES ADDED	12/3/54	1								
TOLERANCES DEC. DIM. \pm FRAC. DIM. \pm ANGULAR DIM. \pm								SCALE: MAXIMUM ALLOWABLE TOLERANCES HAVE BEEN DETERMINED AND ANY DEVIATIONS WILL BE CAUSE FOR REJECTION. REMOVE ALL BURRS AND SHARP EDGES				
								TYPE & TEMPER	HEAT TREAT. SPEC.	DRAWN	CHECKED	FINAL APPROVAL
								FINISH & SPEC. NO.	ELEC. DES. APP.	MECH. DES. APP.	TS-126	B