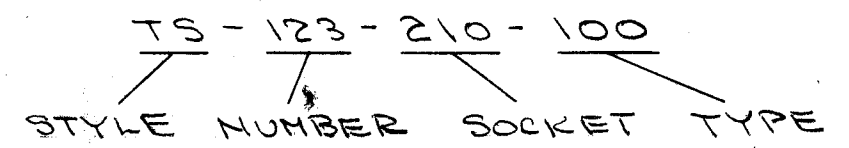


CAT. NO	A	B	C	D	E	BAYONET BASE	MOUNTING		FIG
							HOLES	DIA.	
123-209	1/16 REF	1.386	2 7/16 <sup>+0.024</sup>	1 27/32 <sup>+0.024</sup>	2 13/16 <sup>+0.058</sup>	HEAVY DUTY MEDIUM 4 PIN	4	.210 <sup>+0.012</sup>	A
123-210	21/32 REF	1.386 <sup>+0.010</sup>	2 1/16 <sup>+0.021</sup>	1 7/8 <sup>+0.024</sup>	2 1/2 <sup>+0.050</sup>	MEDIUM 4 PIN	2	.180 <sup>+0.012</sup>	A
123-211	23/32 REF	1.886 <sup>+0.018</sup>	2 13/16 <sup>+0.029</sup>	2 9/32 <sup>+0.034</sup>	3 3/8 <sup>+0.068</sup>	JUMBO 4 PIN	2	7/32 <sup>+0.010</sup>	A
123-206	7/8 ±1/2	2 1/4 ±1/4	2 3/4 ±0.028	2 1/2 ±1/4	3 1/2 ±1/4	Super Jumbo 4 Pin	2	.228 ±0.012	B

SPECIFICATION		
NUMBER	TYPE SOCKET	MATERIALS
1	STANDARD	PORCELAIN BASE, TOP & SIDES GLAZED. CONTACTS, PHOSPHOR BRONZE .0002 CADMIUM PLATED. HARDWARE .0001 NICKEL PLATED. ETCHED ALUMINUM RETAINING SHELL WITH BAYONET SLOT. FUNGUS RESISTANT WASHERS UNDER CONTACT SCREWS.
100	INDUSTRIAL	STEATITE BASE, TOP & SIDES GLAZED, DC 200 TREATED. CONTACTS, BERYLLIUM COPPER, .0005 SILVER PLATED. IRIDITE #14 TREATED ALUMINUM RETAINING SHELL WITH BAYONET SLOT. FUNGUS RESISTANT WASHERS UNDER CONTACT SCREWS. HARDWARE .0001 NICKEL PLATED.
200	MILITARY	STEATITE BASE, TOP & SIDES GLAZED, DC 200 TREATED. CONTACTS, BERYLLIUM COPPER .0005 SILVER PLATED. TERMINALS HOT TIN DIPPED. BRASS RETAINING SHELL WITH BAYONET SLOT .0003 NICKEL PLATED. THREADED HARDWARE .0002 NICKEL PLATED. UNTHREADED HARDWARE .0003 NICKEL PLATED. FUNGUS RESISTANT WASHERS UNDER CONTACT SCREWS.

NOTE  
NO LONGER AVAILABLE  
USE #1 STANDARD

SOCKET DESIGNATION TO BE IN FOLLOWING FORM.



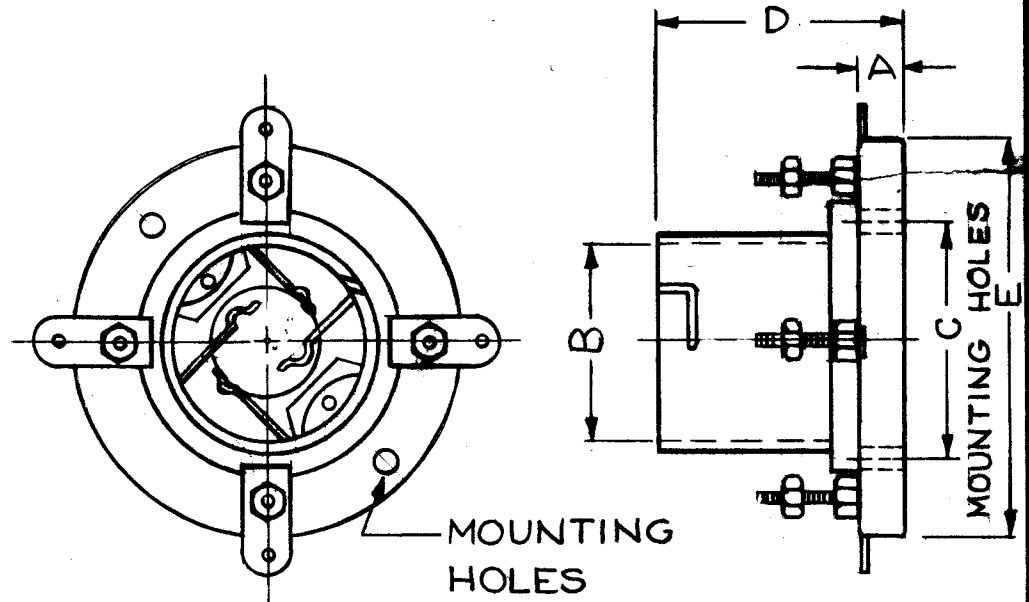
SEE SPEC. CHART  
USE CAT. NO.

NOTE - CAT. NO. 123-210 AVAILABLE WITH PORCELAIN BASE ONLY.

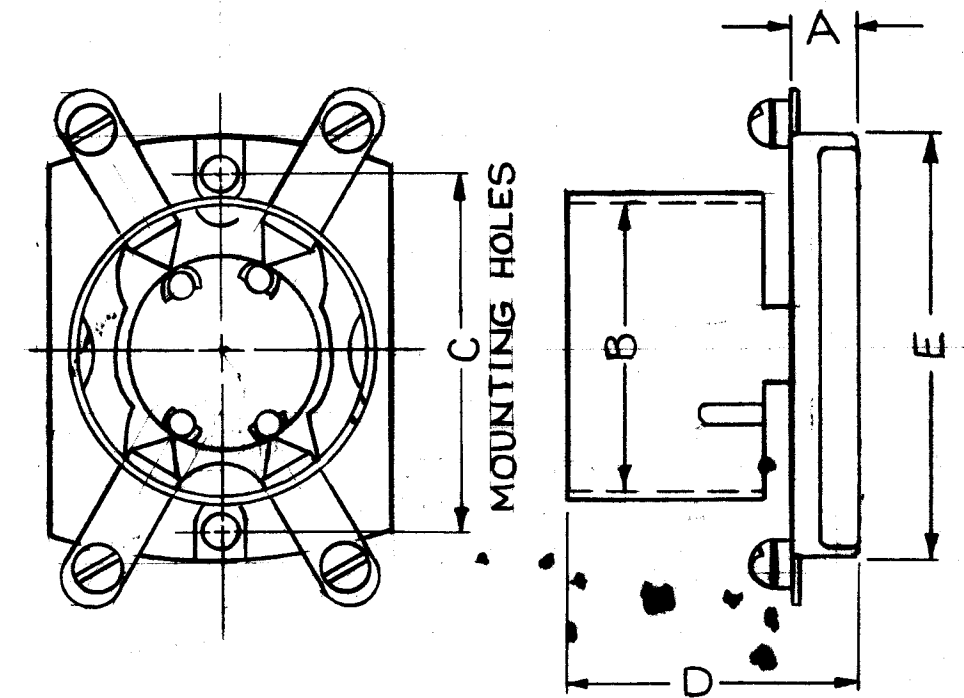
D	2	ADDED #100 STANDARD NO LONGER AVAILABLE	3-18-60	1905	J.C.B.	J.C.B.	
C	1	ADDED #1 STANDARD AVAILABLE					
C	2	TOL. ADDED	1/5/60	1721	J.C.B.	J.C.B.	
C	1	NOTE ADDED					
B	1	123-206 Added	12-14-59	2	J.C.B.	J.C.B.	
A	1	COMPLETE REVISION	1/8/59	1	O.I.P.	A.J.J.	

ISSUE	ITEM	CHANGED FROM	DATE	CH. NO.	DRAFTS	CHECKER	ENG. APP.
TOLERANCES			SCALE:				
DEC. DIM. ±			MAXIMUM ALLOWABLE TOLERANCES HAVE BEEN DETERMINED AND ANY DEVIATIONS WILL BE CAUSE FOR REJECTION.				
FRAC. DIM. ±			REQ. PER	MODEL	PROJECT NO.	ASS'Y. NO.	DATE

# STANDARD DRAWING



- FIG. A -



- FIG. B -

REF. E.F. JOHNSON CO.

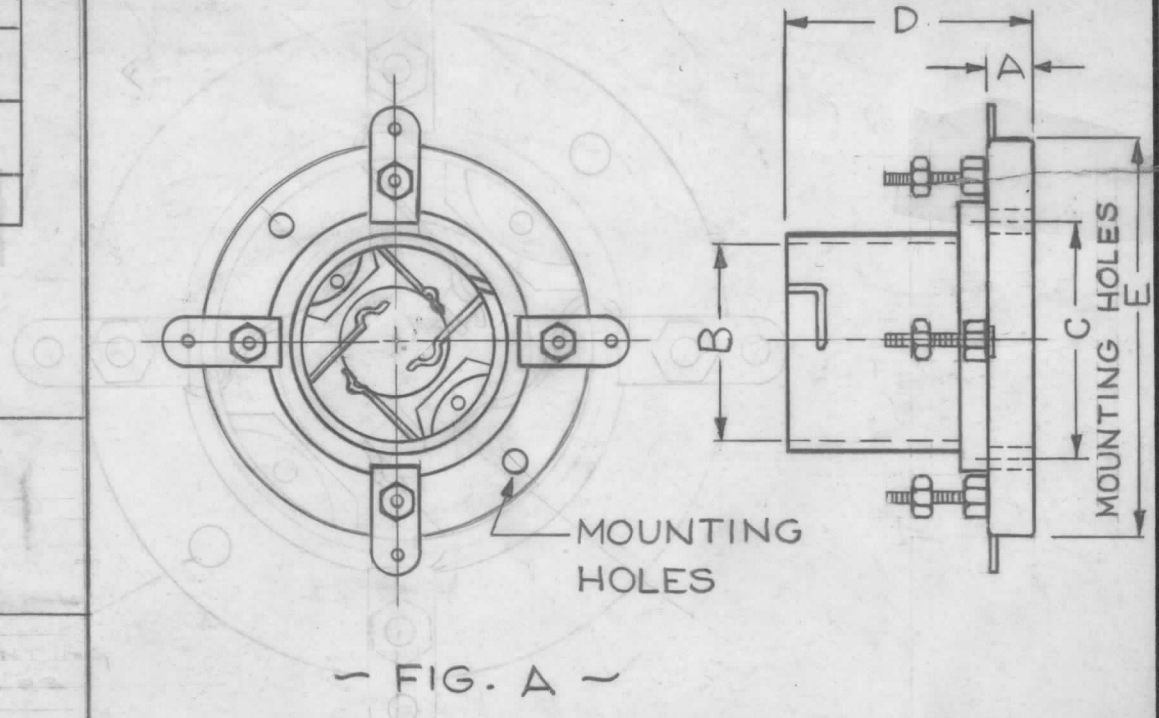
REQ. ITEM	PART NO.	DESCRIPTION	SYMBOL
		THE TECHNICAL MATERIEL CORP. MAMARONECK, NEW YORK	
		SOCKET, BAYONET	
		MATERIAL	
		TYPE & TEMPER	
		HEAT TREAT. SPEC.	
		DRAWN	
		CHECKED	
		FINAL APPROVAL	

O.I.P. *[Signature]* A.J.J.  
 TS-123

TS-123 D

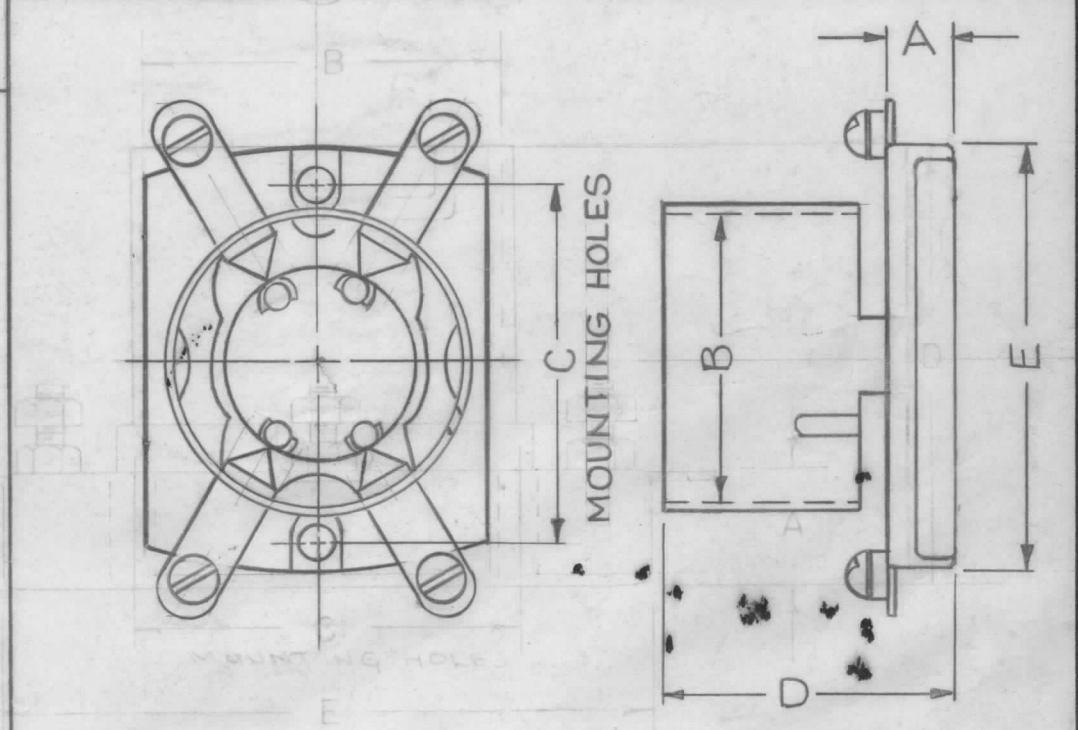
CAT. NO	A	B	C	D	E	BAYONET BASE	MOUNTING		FIG
							HOLES	DIA.	
123-209	1/16 REF	1.386	2 5/16 <sup>+0.024</sup>	1 27/32 <sup>+0.034</sup>	2 13/16 <sup>+0.058</sup>	HEAVY DUTY MEDIUM 4 PIN	4	.210 <sup>+0.012</sup>	A
123-210	21/32 REF	1.386 <sup>+0.010</sup>	2 1/16 <sup>+0.021</sup>	1 7/8 <sup>+0.034</sup>	2 1/2 <sup>+0.050</sup>	MEDIUM 4 PIN	2	.180 <sup>+0.012</sup>	A
123-211	23/32 REF	1.886 <sup>+0.010</sup>	2 13/16 <sup>+0.029</sup>	2 9/32 <sup>+0.034</sup>	3 3/8 <sup>+0.068</sup>	JUMBO 4 PIN	2	7/32 <sup>+0.010</sup>	A
123-206	7/8 <sup>+0.012</sup>	2 1/4 <sup>+0.012</sup>	2 3/4 <sup>+0.028</sup>	2 1/2 <sup>+0.034</sup>	3 1/2 <sup>+0.034</sup>	Super Jumbo 4 Pin	2	.228 <sup>+0.012</sup>	B

# STANDARD DRAWING

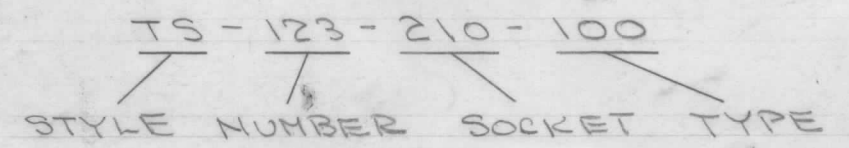


SPECIFICATION		
NUMBER	TYPE SOCKET	MATERIALS
1	STANDARD	PORCELAIN BASE, TOP & SIDES GLAZED. CONTACTS, PHOSPHOR BRONZE .0002 CADMIUM PLATED. HARDWARE .0001 NICKEL PLATED. ETCHED ALUMINUM RETAINING SHELL WITH BAYONET SLOT. FUNGUS RESISTANT WASHERS UNDER CONTACT SCREWS.
100	INDUSTRIAL	STEATITE BASE, TOP & SIDES GLAZED, DC 200 TREATED. CONTACTS, BERYLLIUM COPPER, .0005 SILVER PLATED. IRIDITE #14 TREATED ALUMINUM RETAINING SHELL WITH BAYONET SLOT. FUNGUS RESISTANT WASHERS UNDER CONTACT SCREWS. HARDWARE .0001 NICKEL PLATED.
200	MILITARY	STEATITE BASE, TOP & SIDES GLAZED, DC 200 TREATED. CONTACTS, BERYLLIUM COPPER .0005 SILVER PLATED. TERMINALS HOT TIN DIPPED. BRASS RETAINING SHELL WITH BAYONET SLOT .0003 NICKEL PLATED. THREADED HARDWARE .0002 NICKEL PLATED. UNTHREADED HARDWARE .0003 NICKEL PLATED. FUNGUS RESISTANT WASHERS UNDER CONTACT SCREWS.

NOTE  
NO LONGER AVAILABLE  
USE #1 STANDARD



SOCKET DESIGNATION TO BE IN FOLLOWING FORM.



SEE SPEC. CHART  
USE CAT. NO.

NOTE - CAT. NO. 123-210 AVAILABLE WITH PORCELAIN BASE ONLY.

D	2	ADDED #100 STANDARD NO LONGER AVAILABLE	3-18-60	1905				
	1	ADDED #1 STANDARD AVAILABLE						
C	2	TOL. ADDED	1/5/60	1721				
	1	NOTE ADDED						
B	1	123-206 Added	12-14-59	2	J.C.B.			
A	1	COMPLETE REVISION	7/8/50	1		O.I.P.	A.J.J.	
ISSUE	ITEM	CHANGED FROM	DATE	CH. NO.	DRAFTS	CHECKER	ENG. APP.	
TOLERANCES			SCALE:					
DEC. DIM. ±			MAXIMUM ALLOWABLE TOLERANCES HAVE BEEN DETERMINED AND ANY DEVIATIONS WILL BE CAUSE FOR REJECTION.					
FRAC. DIM. ±			REQ. PER	MODEL	PROJECT NO.	ASS'Y. NO.	DATE	

REF. E.F. JOHNSON CO.

REQ. ITEM	PART NO.	DESCRIPTION	SYMBOL
		THE TECHNICAL MATERIEL CORP. MAMARONECK, NEW YORK	
		SOCKET, BAYONET	
		MATERIAL	
		TYPE & TEMPER	
		HEAT TREAT. SPEC.	
		DRAWN	
		CHECKED	
		FINAL APPROVAL	

O.I.P. *[Signature]* A.J.J.  
 TS-123 D