

B

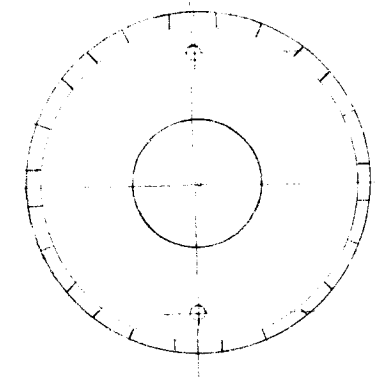
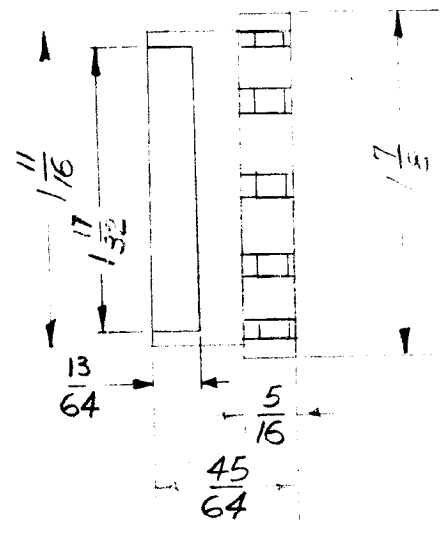
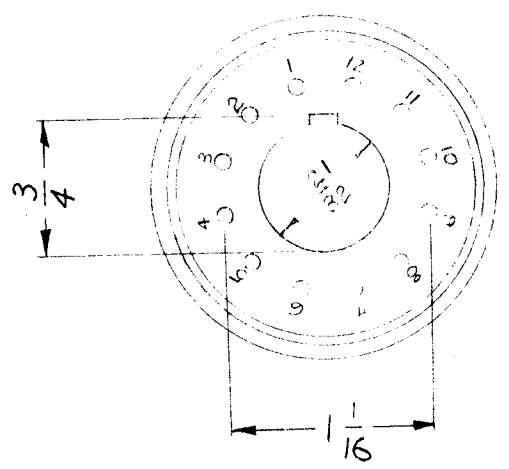
TS-11?

IF IT IS FOUND DESIRABLE TO CHANGE ANY TOLERANCE OR OTHER DETAIL SPECIFIED ON THIS DRAWING NOTIFY THE PURCHASER PROMPTLY.

MAXIMUM ALLOWABLE TOLERANCES HAVE BEEN DETERMINED AND DEVIATIONS WILL BE CAUSE FOR REJECTION. REMOVE ALL BURRS AND SHARP EDGES

USED ON

MODEL	PROJECT NO.	ASS'Y. NO.	DATE
CFA			



NOTE:

SOCKET COMES WITH 12 LOOSE CONTACTS, & 1 COVER, & 2 OR 3 SELF TAPPING SCREWS OPTIONAL

B	1	DWG UPDATED & CLARIFIED	10/9/63	10171	RP	MLT	2/16
A	2	REF. WAS SYLVANIA #40-31	5-27-63	2388	RP	JCB	
A	1	O/A DIM. CHANGED					
ISSUE	ITEM	CHANGED FROM	DATE	CN. NO.	DRAFTS	CHECKER	ENG. APP.

REQ.	ITEM	PART NO.	DESCRIPTION	SYMBOL
			THE TECHNICAL MATERIEL CORP. MAMARONECK. NEW YORK	
			SOCKET, DUO DECAL	
			STOCK SIZE	
			LOW LOSS PHENOLIC	
			MATERIAL	WEIGHT PER PC.
			TYPE & TEMPER	
			DRAWN	ELEC. DES. APP. MECH. DES. APP.
			HEAT TREAT. SPEC.	
			FINISH & SPEC. NO.	
			90 10/15/63	FINAL APPROVAL
			TS-112	B

TOLERANCES		SCALE
ALL OTHERS	DEC. DIM. ± FRAC. DIM. ± ANGULAR DIM. ±	S-401-104 (9707-6) S-401-176 DRILL, PUNCH, COMMERCIAL STOCK SIZES AND MANUFACTURERS TOLERANCES ARE NOT INCLUDED.