

IF IT IS FOUND DESIRABLE TO CHANGE ANY TOLERANCE OR OTHER DETAIL SPECIFIED ON THIS DRAWING NOTIFY THE PURCHASER PROMPTLY.

STANDARD DRAWING

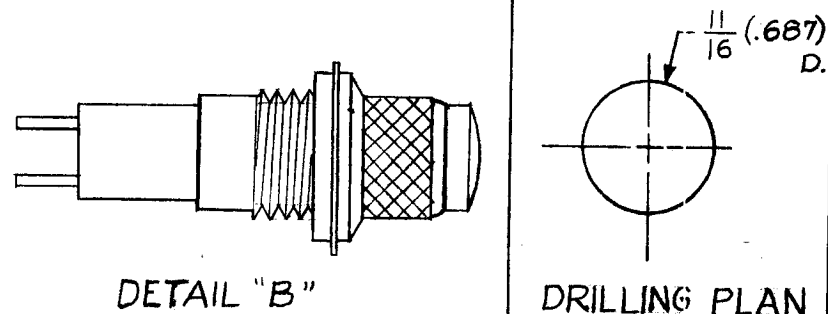
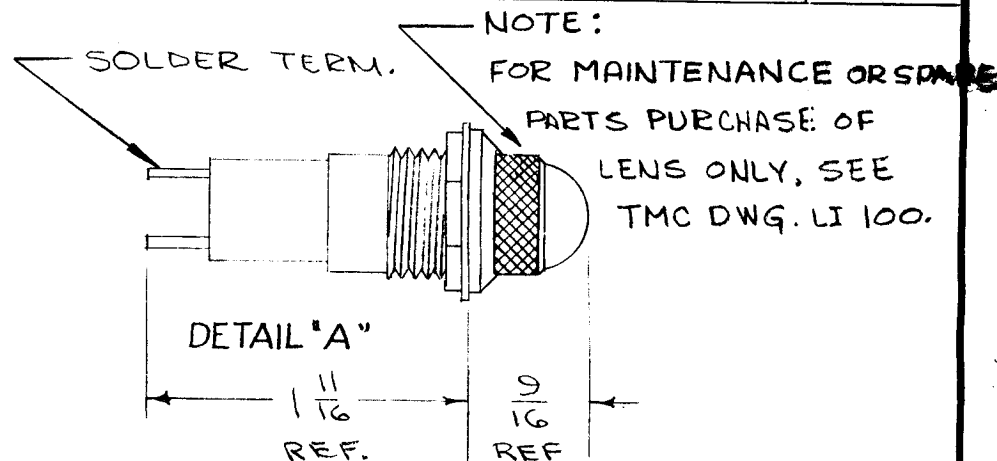
TS 106 E

MAXIMUM ALLOWABLE TOLERANCES HAVE BEEN DETERMINED AND DEVIATIONS WILL BE CAUSE FOR REJECTION. REMOVE ALL BURRS AND SHARP EDGES

USED ON

MODEL PROJECT NO. ASS'Y. NO. DATE

TMC NO.	MFGS PART NUMBER	LENS	DETAIL
TS-106-1	55-0410-0111-102	RED, BACK FROSTED	A
TS-106-2	55-0410-0137-102	CLEAR, COLORLESS UNFROSTED	A
TS-106-3	55-0410-0112-102	GREEN BACK FROSTED	A
TS-106-4	55-0410-0113-102	AMBER (YEL) BACK FROSTED	A
TS-106-5	55-0410-0114-102	BLUE BACK FROSTED	A
TS-106-6	55-0410-0115-102	WHITE BACK FROSTED	A
TS-106-7	55-0410-0116-102	LIGHT (YEL) BACK FROSTED	A
TS-106-8	55-0410-0376-102	YELLOW, BLK LETTER "L"	B
TS-106-9	55-0410-0376-102	YELLOW, BLK. LETTER "U"	B



E		P/N CHART REVISED P/N DETAIL ADDED PICTORIAL REVISED	5/9/66	16324	4/10/66	JCS	2
D	1	S401-153 ADDED; DIAL LIGHT CO. DELETED; DET. 'B' ADDED; DET. COLUMN ADDED; TS106-8 & 9 ADDED	4/27/64	11293	9/1/64	@	0
C	1	CHART COMPLETELY REVISED	11/27-62	7725		FLO	
B	1	FINISH W.H. NICKEL ADDED	5-27-60	2368		JCS	
A	1	NOTE ADDED RE: CAP	10/18/60	1		CDD	
		REDRAWN - NO CHANGE	8/27/54			C.D.D.	
ISSUE	ITEM	CHANGED FROM	DATE	CN. NO.	DRAFTS	CHECKER	ENG. APP.

TOLERANCES

SCALE S401-153

ALL OTHERS
DEC. DIM. \pm
FRAC. DIM. \pm
ANGULAR DIM. \pm

DRILL, PUNCH, COMMERCIAL STOCK SIZES AND MANUFACTURERS TOLERANCES ARE NOT INCLUDED.

REQ.	ITEM	PART NO.	DESCRIPTION	SYMBOL
		#	THE TECHNICAL MATERIEL CORP. MAMARONECK. NEW YORK	
		STOCK SIZE		
		#	LIGHT, INDICATOR, MINIATURE BAYONET	
		MATERIAL	WEIGHT PER PC.	
		#		
		TYPE & TEMPER	CDD 8-21-5A	G.T.O.
		#		
		HEAT TREAT. SPEC.		
		METAL SHELL: WHITE NICKEL		
		FINISH & SPEC. NO.		
			DRAWN	ELEC. DES. APP.
			CHECKED	MECH. DES. APP.
			FINAL APPROVAL	

TS 106 E