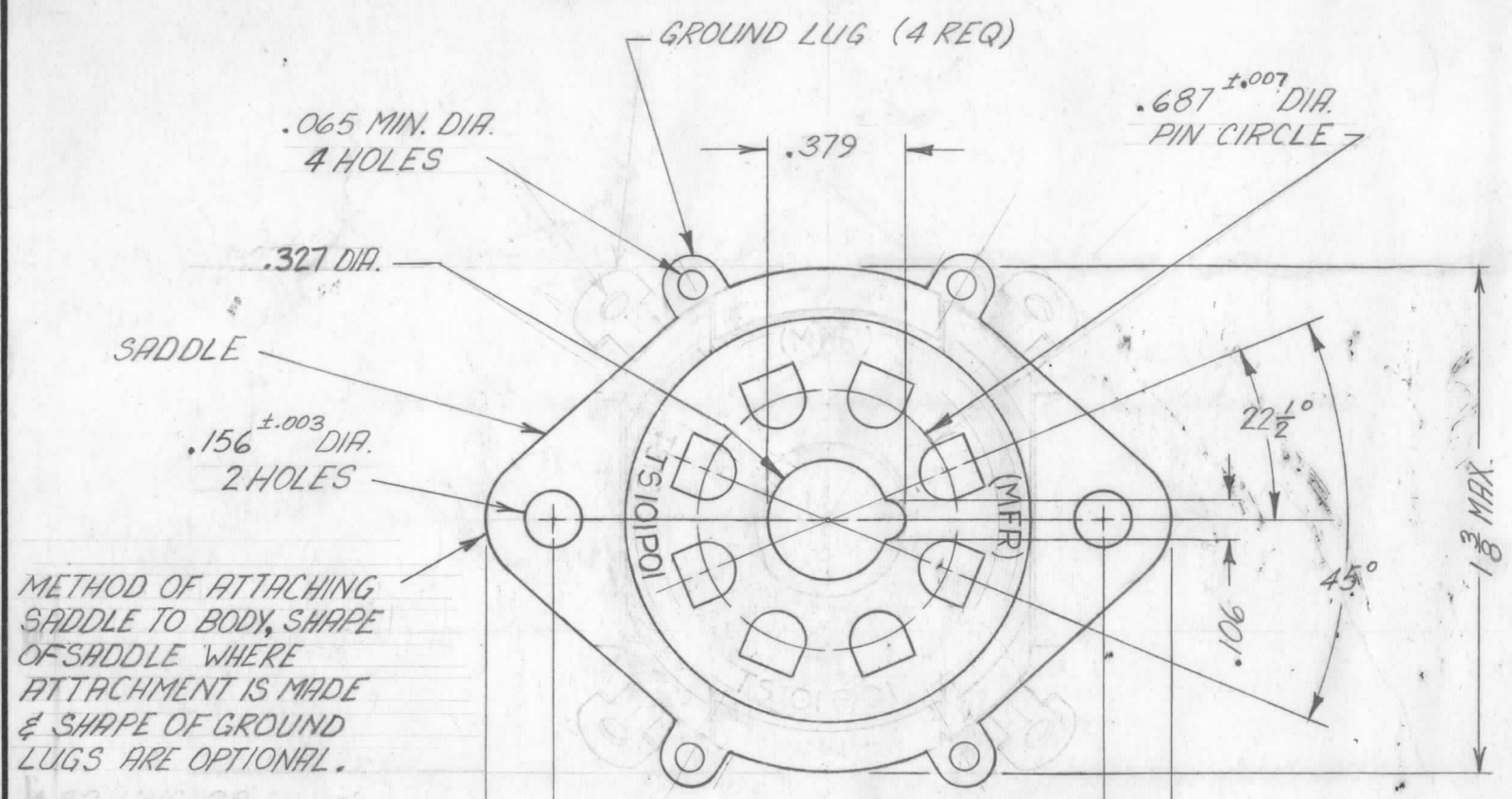


C
TS-101

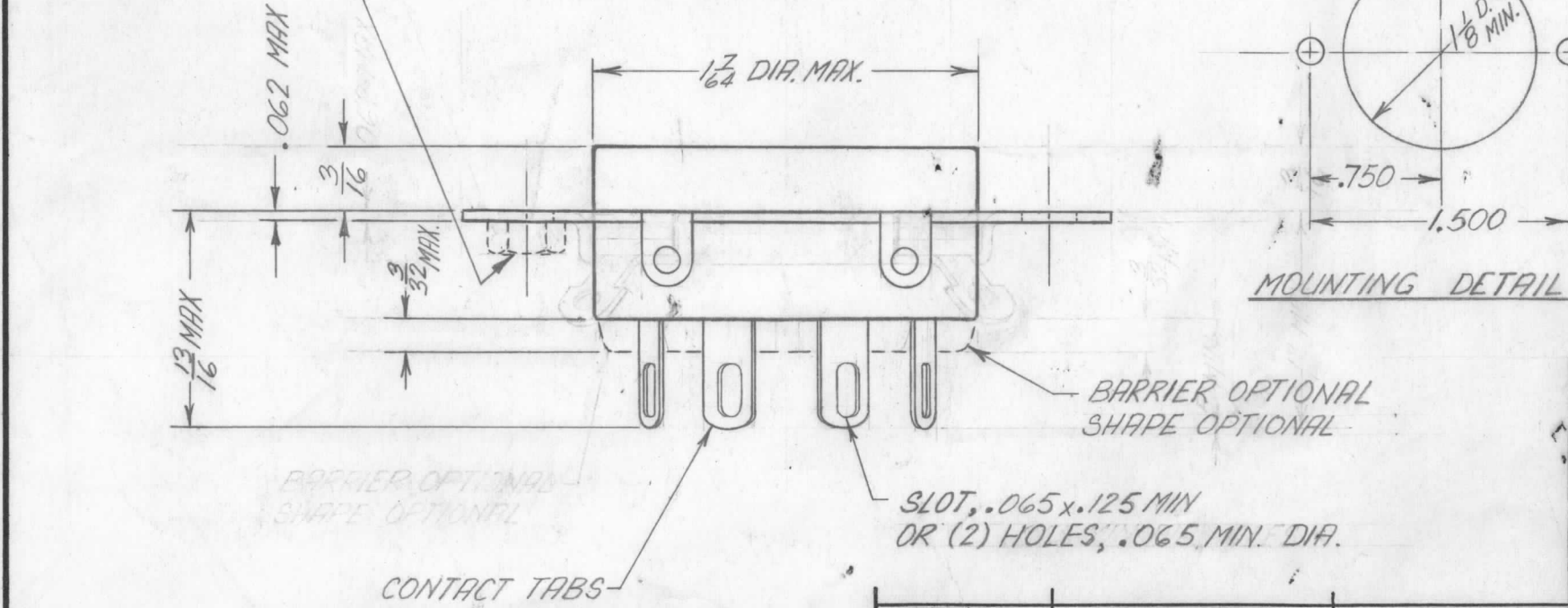
REVISIONS

SYM	DESCRIPTION	DATE	E.M.N. NO.	DRAFT	CHKD	APPD
C	REVISED & REDRAWN	4-8-63	8709	RC	JW	[Signature]



METHOD OF ATTACHING SADDLE TO BODY, SHAPE OF SADDLE WHERE ATTACHMENT IS MADE & SHAPE OF GROUND LUGS ARE OPTIONAL.

6-32 NC -2B TAPPED BUSHING (FOR "02" MTG ONLY) 2 REQ'D



INSULATOR BODY

C: CERAMIC, GRADE L-4B OR HIGHER AS PER SPEC. JAN-I-10.
P: MOULDED THERMOSETTING PLASTIC AS PER SPEC. MIL-M-14, TYPE MFE.

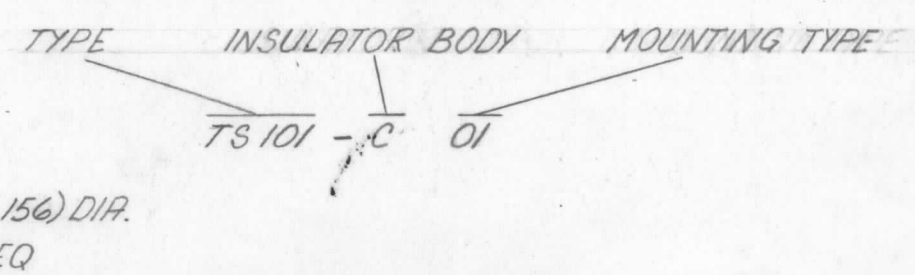
MOUNTING TYPE

- 01 : 2 HOLES 0.156 DIA.
- 02 : 2 MTG. BUSHINGS, 6-32 TAPPED.

NOTES

- CONTACTS & CONTACT TABS : PHOSPHOR BRONZE OR BERYLLIUM COPPER PLATED WITH SILVER (99 PERCENT) & HOT SOLDER DIPPED.
- SADDLE SHALL BE BRASS, CADMIUM PLATED (QQ-P-416, TYPE II, CLASS "A" OR "B")
- GROUND LUGS SHALL BE HOT-SOLDER DIPPED.

TYPE DESIGNATION



SOCKETS SHALL BE IN ACCORD WITH MIL-S-12883/11

REQ'D.	ITEM	PART NUMBER	DESCRIPTION	SYMBOL
LIST OF MATERIAL				
MATERIAL			THE TECHNICAL MATERIEL CORP. MAMARONECK, NEW YORK	
FINISH			TITLE SOCKET, ELECTRON TUBE SADDLE TYPE, 8 CONTACT	
UNLESS OTHERWISE SPECIFIED DIMENSIONS ARE IN INCHES AND INCLUDE CHEMICALLY APPLIED OR PLATED FINISHES		DRAWN R. Chavault	DATE 4-8-63	FINAL APPROVAL BP
		CHECKED JW	DATE 4-17-63	
		ELECT. DES.	DATE	
		MECH. DES.	DATE	
		TS-101		C
		SHEET		REV. LTR.

NOTES

THE CONTENTS OF THIS DRAWING ARE THE EXCLUSIVE PROPERTY OF THE TECHNICAL MATERIEL CORP. ITS UNAUTHORIZED USE OR REPRODUCTION IN WHOLE OR IN PART IS STRICTLY FORBIDDEN.