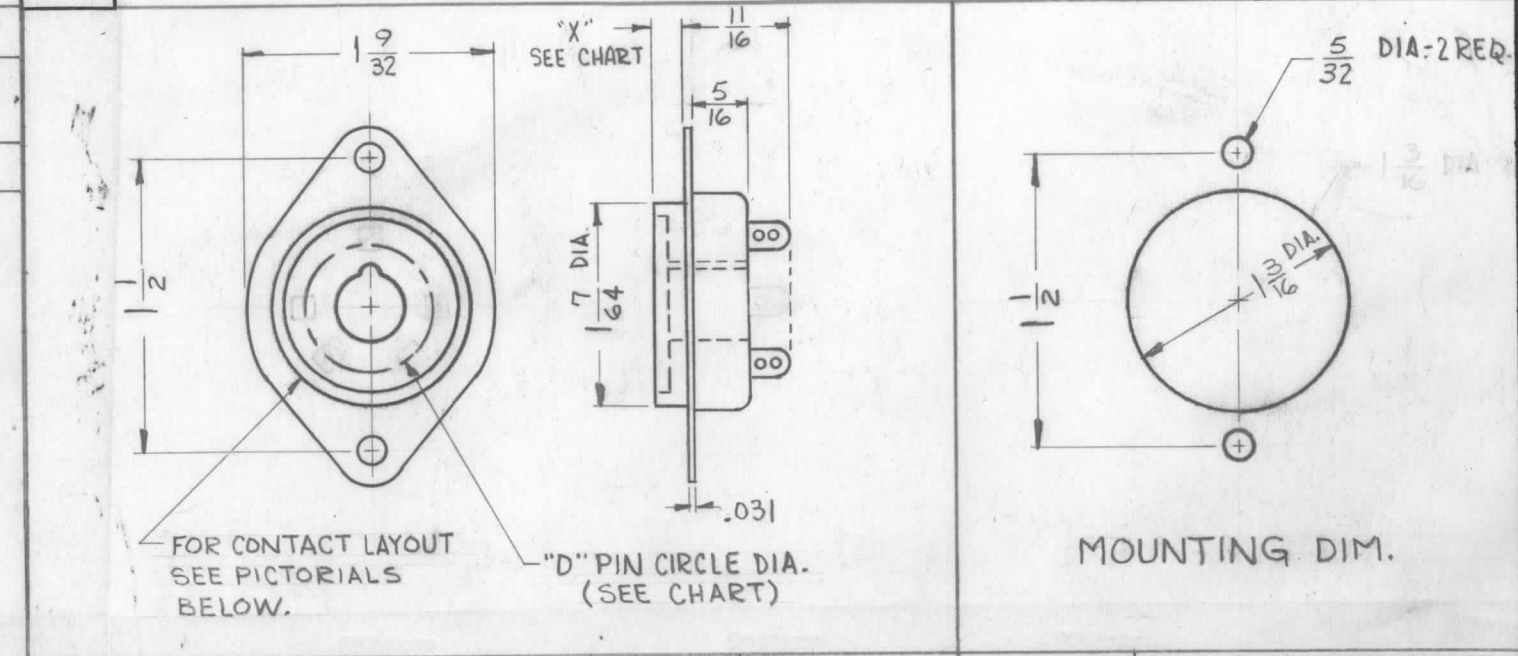


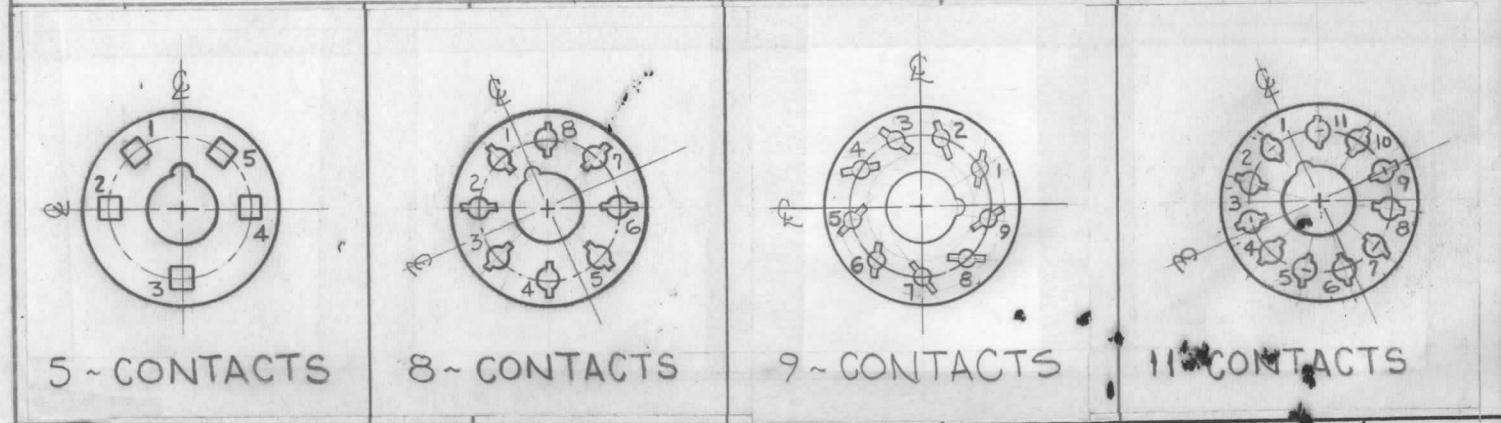
TMC PART NO.	MFR'S. PART NO.	BODY MATERIAL	NUMBER OF CONTACTS	CONTACT LAYOUT (See Pictorial)	DIMENSIONS		VOLT RATING RMS AT SEA LEVEL	CURRENT RATING AMPS
					"X"	Pin Circle Dia. "D"		
TS-100-1	77-MIP-5	PHENOLIC	5	5	3/32	.750	1250	5
TS-100-2	77-MIP-5T	MICA-FILLED PHENOLIC	5	5	3/32	.750	1250	5
TS-100-3	77-MIP-8	PHENOLIC	8	8	.145	.687	1250	3
TS-100-4	77-MIP-8T	MICA-FILLED PHENOLIC	8	8	.145	.687	1250	3
TS-100-5	77-MIP-11	PHENOLIC	11	11	.145	.750	500	3
TS-100-6	77-MIP-11T	MICA-FILLED PHENOLIC	11	11	.145	.750	500	3
TS-100-7	77-MIP-9	PHENOLIC	9	9	.145	.687	1250	3

REVISIONS						
SYM	DESCRIPTION	DATE	E.M.N. NO.	DRAFT	CHKD	APPD
A	REDRAWN & REVISED	12-17-62	7854			
B	TS-100-7 ADDED TO CHART; 9 PIN SOCKET ADDED TO PICT.	12-2-63	10482			



SPECIFICATIONS

- CONSTRUCTION: MOUNTING PLATE MOLDED INTO BODY.
- MATERIAL AND FINISHES:
 - (A) MOUNTING PLATE: COLD ROLLED STEEL, NICKEL PLATE.
 - (B) BODY (PER CHART): SOLID BLACK PHENOLIC (TYPE CFG PER MIL-P-14A) OR MICA-FILLED PHENOLIC (TYPE MFE PER MIL-P-14A).
 - (C) CONTACTS: LUBOLY, CADMIUM PLATE, .0002 MIN.



REF: AMERICAN PHENOLIC CORP.

NOTES

STANDARD DRAWING

Q'TY./UNIT	MODEL USED ON	ASS'Y. NO.
SCALE #	CODE C	S401-71

THE CONTENTS OF THIS DRAWING ARE THE EXCLUSIVE PROPERTY OF THE TECHNICAL MATERIEL CORP. ITS UNAUTHORIZED USE OR REPRODUCTION IN WHOLE OR IN PART IS STRICTLY FORBIDDEN.

REQ'D.	ITEM	PART NUMBER	DESCRIPTION	SYMBOL
LIST OF MATERIAL				
MATERIAL		THE TECHNICAL MATERIEL CORP.		
SEE SPECIFICATIONS		MAMARONECK, NEW YORK		
FINISH		TITLE		
SEE SPECIFICATIONS		SOCKET, ELECTRON TUBE		
UNLESS OTHERWISE SPECIFIED DIMENSIONS ARE IN INCHES AND INCLUDE CHEMICALLY APPLIED OR PLATED FINISHES		DRAWN <i>G. Swann</i>	DATE 12-17-62	FINAL APPROVAL <i>BP</i>
DECIMALS .X ± .05 .XX ± .01 .XXX ± .005		ELECT. DES.		DATE
FRACTIONS ± 1/64 ANGLES ± 0° 30'		MECH. DES.		DATE
TOLERANCES		SHEET		REV. LTR.