

5

4

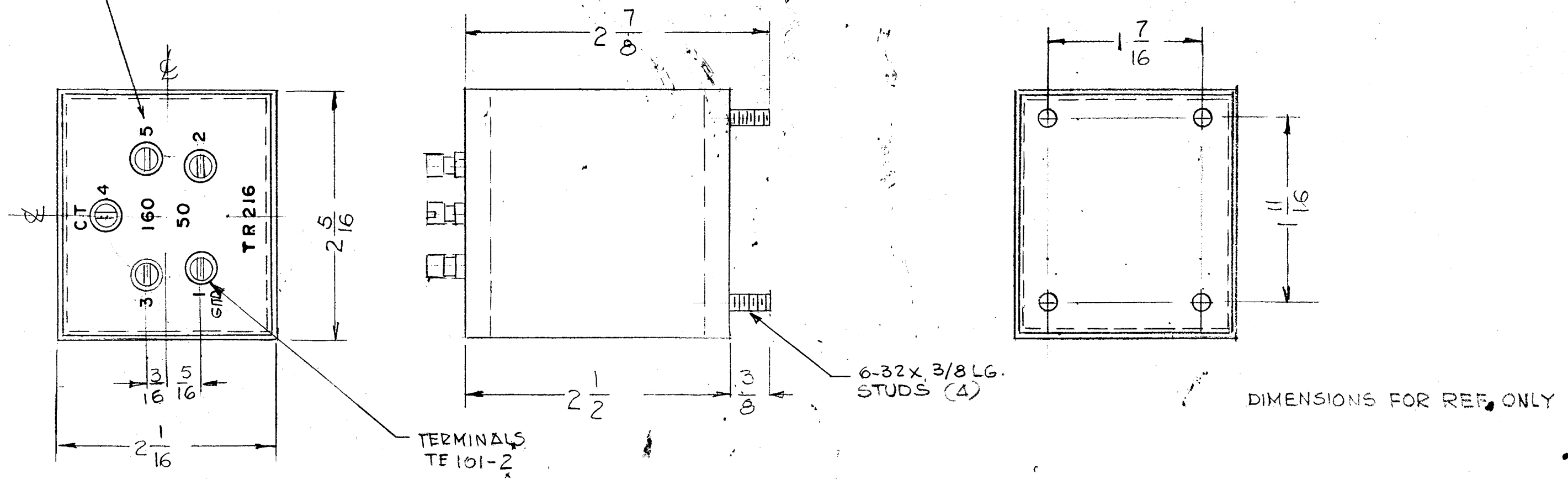
3

2

1

REVISIONS							
E.M.N. NO	DRAFT	CHKD	ZONE	LTR	DESCRIPTION	DATE	APPROVED

MARK TMC 1/8 HIGH GOTHIC AS SHOWN



ELECTRICAL SPECS:
 PRIMARY: TERMS 2 50Ω UNBAL.
 " 1-GND.

SECONDARY: TERMS 3 & 5 160Ω BAL
 " 4 CT

MECHANICAL SPECS -
 LENGTH : 2-5/16
 WIDTH : 2 1/16
 HEIGHT : 2 1/2 INCLUDING TERMS
 MOUNTING : (4) 6-32 X 3/8 STUDS
 FINISH : TMC GREY (S 115)

QTY / UNIT	MODEL USED ON	ASS'Y NO.
APPLICATION		
	CODE	2A 5879
NOTICE TO PERSONS RECEIVING THIS DRAWING THE TECHNICAL MATERIEL CORPORATION claims proprietary right in the material disclosed hereon. This drawing is issued in confidence for engineering information only and may not be reproduced or used to manufacture anything shown hereon without permission from THE TECHNICAL MATERIEL CORPORATION to the user. This drawing is loaned for mutual assistance and is subject to recall at any time.		

UNLESS OTHERWISE SPECIFIED DIMENSIONS ARE IN INCHES AND INCLUDE CHEMICALLY APPLIED OR PLATED FINISHES		FINAL APPROVAL <i>GD</i>	DATE <i>2/2/92</i>
DECIMALS .X ± .05 .XX ± .01 .XXX ± .005	FRACTIONS 1/64 ANGLES 0°-30'	MECH. DES.	DATE
MATERIAL		ELECT. DES.	DATE
FINISH		CHECKED	DATE
		DRAWN <i>G.D.L.</i>	DATE <i>12-4-91</i>

REQ'D	ITEM	PART NUMBER	DESCRIPTION	SYM.
LIST OF MATERIAL				
THE TECHNICAL MATERIEL CORP. MAMARONECK, NEW YORK				
TRANSFORMER 50Ω UNBAL. 160Ω BAL.				
SIZE	CODE	IDENT. NO.	DWG NO.	ISSUE
B	82679	TR 216		
SCALE 1:1			SHEET OF	