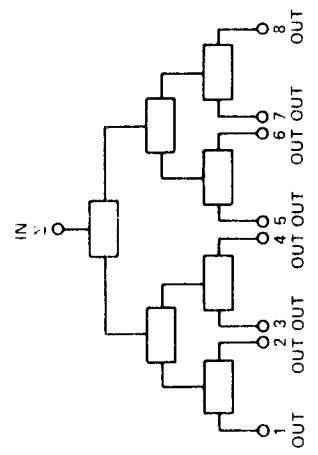
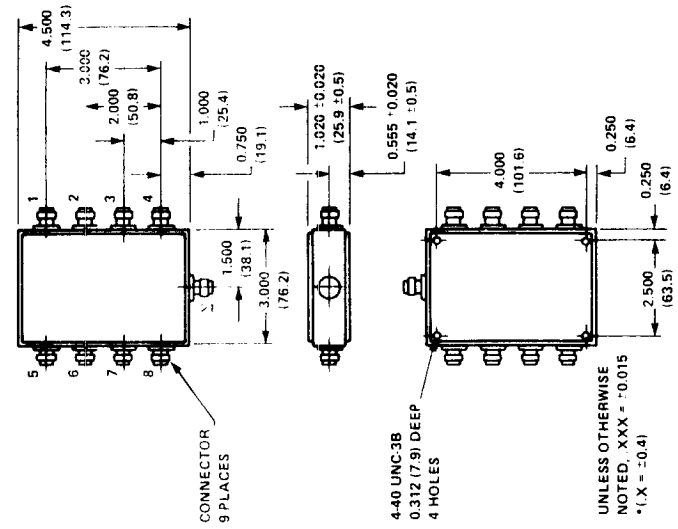


APPLICATION			REVISIONS						
QTY	MODEL USED ON	ASSY NO.	LTR	DESCRIPTION	DATE	E.M.N.O	DRAFT	CHKD	APPD
1	MAC-2		Ø	ORIGINAL RELEASE FOR PRODUCTION	7/24/63				

Block Diagram



Mechanical Data



2-200MHZ
1.5:1 VSWR
35db Isolation

ANZAC (CAMBRIDGE MASS)
DS-309-BNC (PART NO 8251)

UNLESS OTHERWISE SPECIFIED DIMENSIONS ARE IN INCHES AND INCLUDE CHEMICALLY APPLIED OR PLATED FINISHES	REQ'D ITEM	PART NUMBER	DESCRIPTION	SYM.
DECIMALS .X ± .05	FINAL APPROVAL		LIST OF MATERIAL	
FRACTIONS 1/64	MECH. DES.		THE TECHNICAL MATERIEL CORP.	
TOLS. .XX ± .01	ELECT. DES.		MAMARONECK, NEW YORK	
ANGLES 0°-.30°	CHECKED		POWER COMBINER	
MATERIAL	DRAWN			
FINISH				

NOTICE TO PERSONS RECEIVING THIS DRAWING THE TECHNICAL MATERIEL CORPORATION claims proprietary right in the material disclosed herein. This drawing is issued in confidence for engineering information only and may not be reproduced or used to manufacture anything shown hereon without permission from THE TECHNICAL MATERIEL CORPORATION to the user. This drawing is loaned for mutual assistance and is subject to recall at any time.		SIZE A	CODE IDENT. NO. 82679	DWG NO. TR 208	ISSUE
SCALE	SHEET	OF			