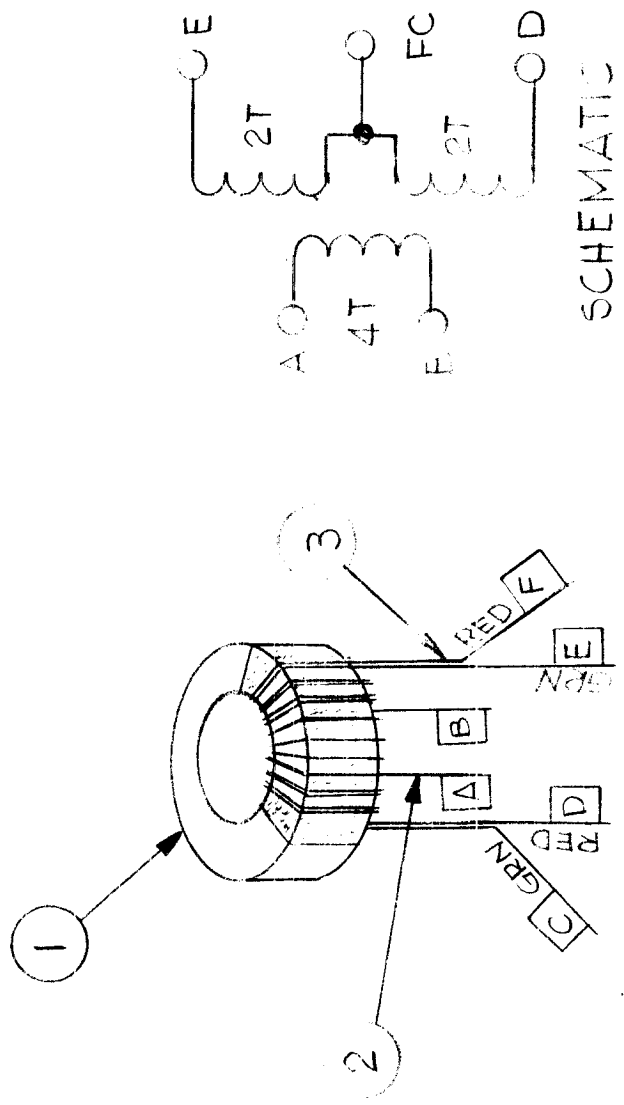


APPLICATION		REVISIONS							
QTY	MODEL USED ON	ASSY NO.	LTR	DESCRIPTION	DATE	E.M.N.O	DRAFT	CHKD	APPD
1	GPR 110-A	A5632							
1	KIT 416	A5632							



SCHEMATIC

OBBOLE USE TR 195

X	5	GL 130	ADHESIVE Q DOPE		
X	4	TA108-1	INS TAPE EL GL		
X	3	WI148-34-25	WIRE,ELEC MAGNET		
X	2	WI141-28	WIRE,ELEC MAGNET		
1	1	CI127-7	CORE TOROID		

REQ'D	ITEM	PART NUMBER	DESCRIPTION	SYM.
LIST OF MATERIAL				
THE TECHNICAL MATERIEL CORP. MAMARONECK, NEW YORK				
X-FMR PHASE DETECTOR				
UNLESS OTHERWISE SPECIFIED DIMENSIONS ARE IN INCHES AND INCLUDE CHEMICALLY APPLIED OR PLATED FINISHES				
DECIMALS		FRACTIONS		
.X ± .05		1/64		
.XX ± .01		TOLS. ANGLES		
.XXX ± .005		0°-30°		
MATERIAL				
FINISH				
DRAWN GIDE 03/24/64				
DATE 4-16-76				
CHECKED				
ELECT. DES.				
MECH. DES.				
FINAL APPROVAL				
DATE				

SIZE	CODE IDENT. NO.	DWG NO.	ISSUE
A	82679	TR 195	1
SCALE		SHEET	OF

NOTICE TO PERSONS RECEIVING THIS DRAWING
 THE TECHNICAL MATERIEL CORPORATION claims proprietary right in the material disclosed hereon. This drawing is issued in confidence for engineering information only and may not be reproduced or used to manufacture anything shown hereon without permission from THE TECHNICAL MATERIEL CORPORATION to the user. This drawing is loaned for mutual assistance and is subject to recall at any time.