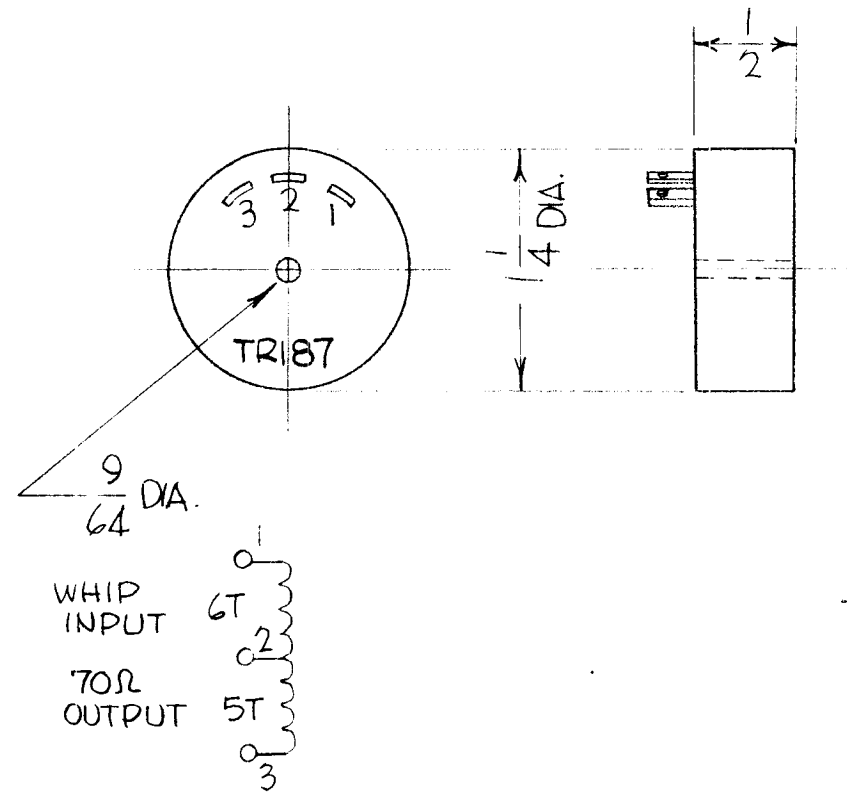


REQ. PER UNIT	USED ON			TR187	Ø
	MODEL	ASS'Y. NO.	DATE		
1	HFD-15				

SPECIFICATIONS

Electrical:
 Input Impedance: HI Impedance
 Output Impedance: 50 - 70Ω
 Operating Freq.: 2-32 MC
 Freq. Resoinse: 2db

Mechanical:
 Case
 Material: Potted (per TMC GL106)
 Terminals: Solder Lug Tyoe



REQ.	ITEM	PART NO.	DESCRIPTION			SYMBOL
			THE TECHNICAL MATERIEL CORP. MAMARONECK. NEW YORK			
			STOCK SIZE			
			TRANSFORMER, R.F			
Ø	ORIGINAL RELEASE FOR PRODUCTION	1/6/66	HCA	JOA		
SYM	DESCRIPTION	DATE	CH. NO.	DRAFTS	CHECKER	ENG. APP.
UNLESS OTHERWISE SPECIFIED DIMENSIONS ARE IN INCHES AND INCLUDE CHEMICALLY APPLIED OR PLATED FINISHES		SCALE				
DECIMALS	TOLERANCES	FRACTIONS	CODE			
.X ± .05 .XX ± .01 .XXX ± .005		± 1/64 ANGLES ± 0° 30'				
			FINISH & SPEC. NO.	ELEC. DES. APP.	MECH. DES. APP.	TR187

ICB
 DRAWN
 CHECKED
 FINAL APPROVAL
 M/L 29
 REPROVAL NO. 440H 21540