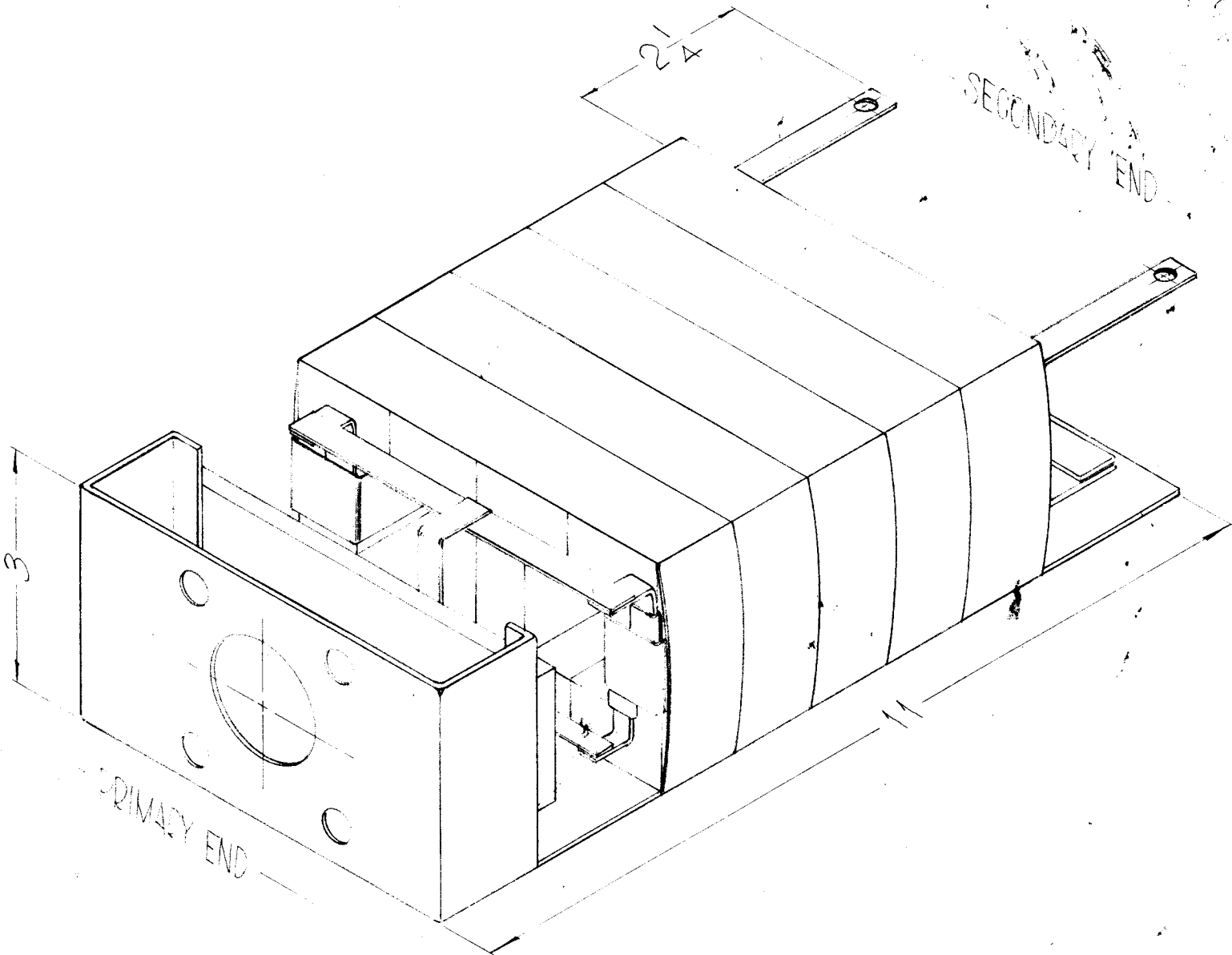


NOTICE TO PERSONS RECEIVING THIS DRAWING

THE TECHNICAL MATERIEL CORPORATION claims proprietary right in the material disclosed hereon. This drawing is issued in confidence for engineering information only and may not be reproduced or used to manufacture anything shown hereon without permission from THE TECHNICAL MATERIEL CORPORATION to the user. This drawing is loaned for mutual assistance and is subject to recall at any time.

Property of:
THE TECHNICAL MATERIEL CORPORATION
 MAMARONECK, NEW YORK



TR-176

REVISIONS

| SYM | DESCRIPTION | DATE | E.M.N. NO. | DRAFT | CHKD | APPD |
|-----|-------------|------|------------|-------|------|------|
|-----|-------------|------|------------|-------|------|------|

SPECIFICATIONS

ELECTRICAL SPECIFICATIONS

IMPEDENCE - 52 Ω UNBALANCED
 52 Ω BALANCED

WATT - 3500, PEAK ENVELOPE POWER

| REQ'D. | ITEM | PART NUMBER | DESCRIPTION | SYMBOL |
|--------|------|-------------|-------------|--------|
|--------|------|-------------|-------------|--------|

BUDETTI LIST OF MATERIAL

MATERIAL: THE TECHNICAL MATERIEL CORP.
 MAMARONECK, NEW YORK

FINISH: TITLE: TRANSFORMER, R.F. 52 UNBAL / 52 BAL

| | | | | | |
|---|------------|-------------------------|---------------|-----------------------------|-------|
| UNLESS OTHERWISE SPECIFIED DIMENSIONS ARE IN INCHES AND INCLUDE CHEMICALLY APPLIED OR PLATED FINISHES | | DRAWN: John C Biale | DATE: 8/29/62 | FINAL APPROVAL: [Signature] | DATE: |
| DECIMALS: .X ± .05 .XX ± .01 .XXX ± .005 | TOLERANCES | CHECKED: [Signature] | DATE: 8/30/62 | DATE: TR-176 | DATE: |
| FRACTIONS: ± 1/64 ANGLES: ± 0° 30' | | ELECT. DES. [Signature] | DATE: | DATE: 8-31-62 | SHEET |
| | | MECH. DES. [Signature] | DATE: | REV. LTR. | |

NOTES

THE CONTENTS OF THIS DRAWING ARE THE EXCLUSIVE PROPERTY OF THE TECHNICAL MATERIEL CORP. ITS UNAUTHORIZED USE OR REPRODUCTION IN WHOLE OR IN PART IS STRICTLY FORBIDDEN.