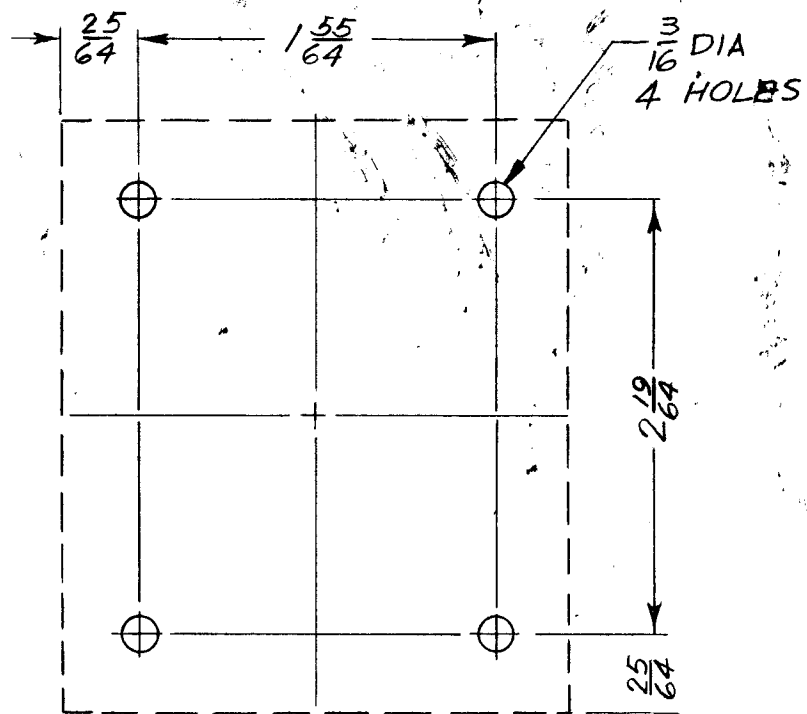


SCHMATIC

TR-174



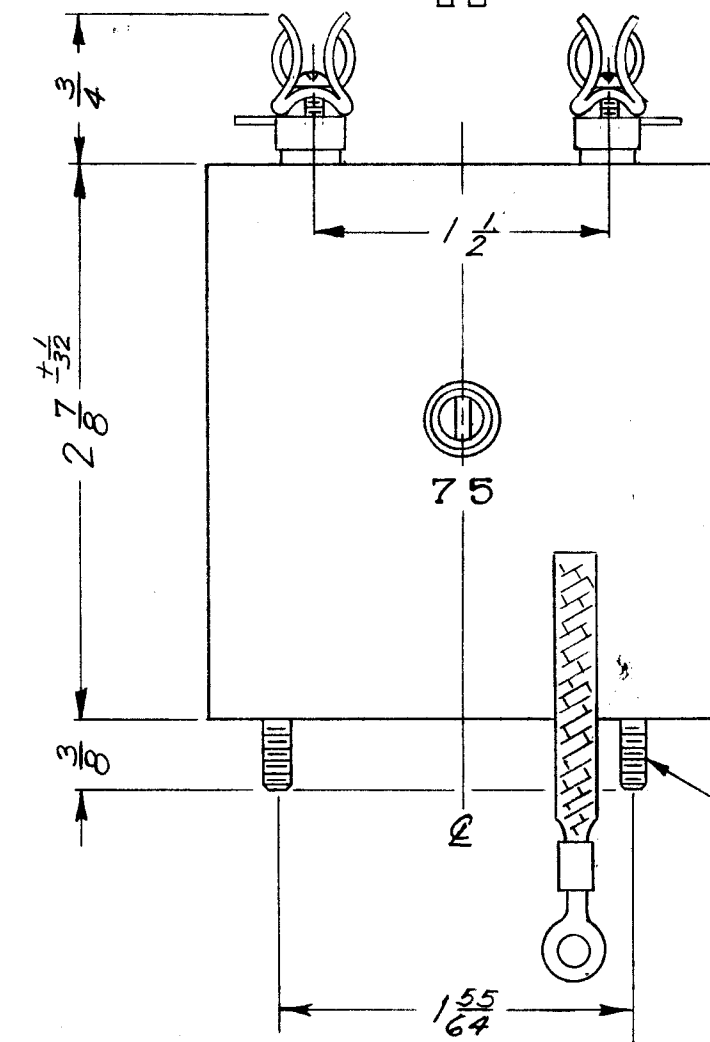
TR-174 MOUNTING DETAIL

IMPEDANCE DATA:

INPUT IMP: 140 Ω BALANCED
 OUTPUT IMP: 75 Ω UNBALANCED
 OPERATING FREQ. RANGE: 4-15 MCS
 FREQ. RESPONSE OVER OPERATING RANGE: WITHIN ±1.5 db
 AVERAGE POWER RATING: NOT RATED (RECEIVING APPLICATION)

CASE DATA:

MATERIAL: STEEL
 HERMETICALLY SEALED & POTTED
 FINISH: S-115. (SMOOTH GRAY ENAMEL)



NOTES

1	RAC-42	
Q'TY./UNIT	MODEL USED ON	ASS'Y. NO.
SCALE	CODE	4A-3142

THE CONTENTS OF THIS DRAWING ARE THE EXCLUSIVE PROPERTY OF THE TECHNICAL MATERIEL CORP. ITS UNAUTHORIZED USE OR REPRODUCTION IN WHOLE OR IN PART IS STRICTLY FORBIDDEN.

REQ'D.	ITEM	PART NUMBER	DESCRIPTION	SYMBOL
STEIN LIST OF MATERIAL				
MATERIAL			THE TECHNICAL MATERIEL CORP. MAMARONECK, NEW YORK	
FINISH			TITLE TRANSFORMER, RF	
UNLESS OTHERWISE SPECIFIED DIMENSIONS ARE IN INCHES AND INCLUDE CHEMICALLY APPLIED OR PLATED FINISHES			DRAWN <i>R. Chavitt</i>	DATE 4-2-63
			CHECKED <i>J. De</i>	DATE 4/18/63
			ELECT. DES. <i>MM</i>	DATE 5/14/63
			MECH. DES. <i>MM</i>	DATE 5/14/63
			FINAL APPROVAL <i>B.P.</i>	
			TR-174	
			SHEET	
			REV. LTR.	