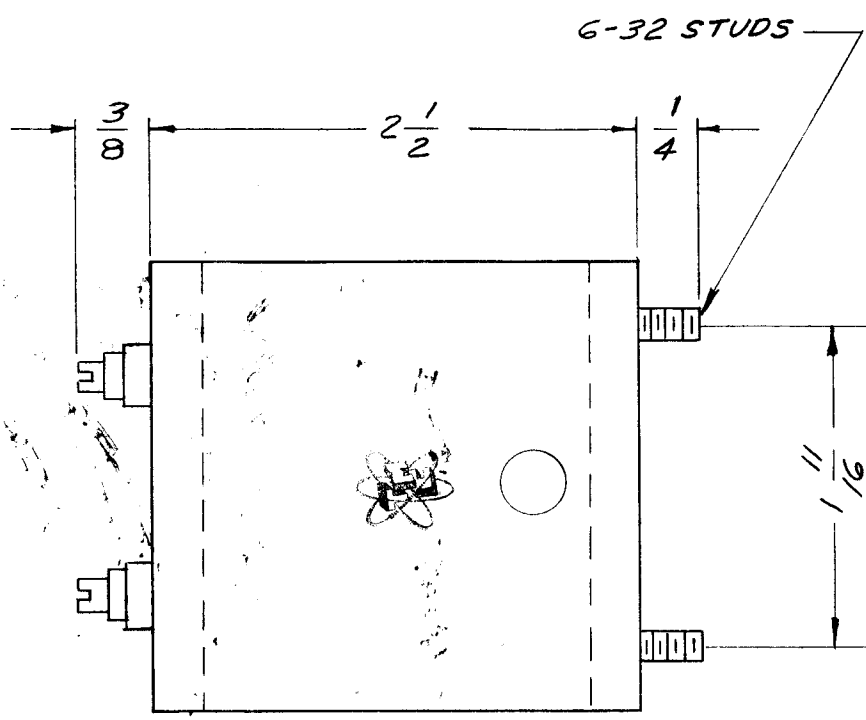
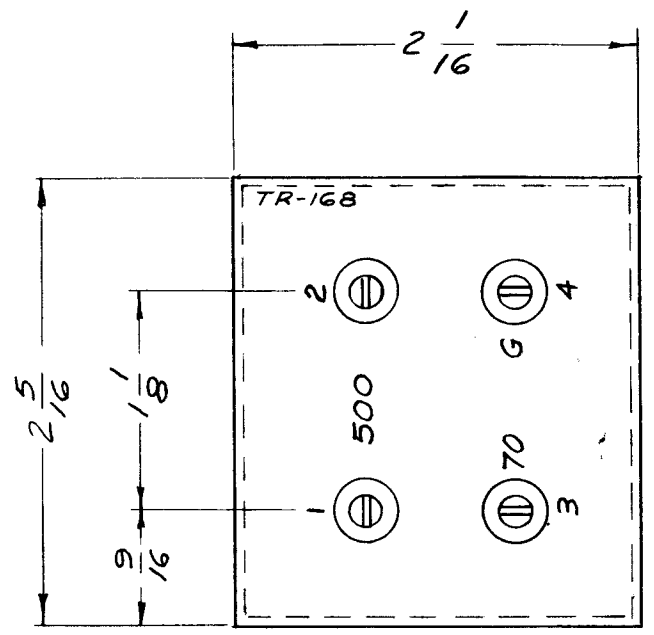
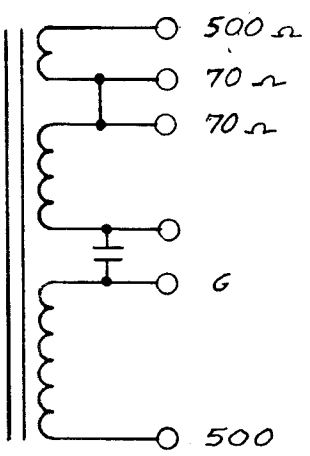
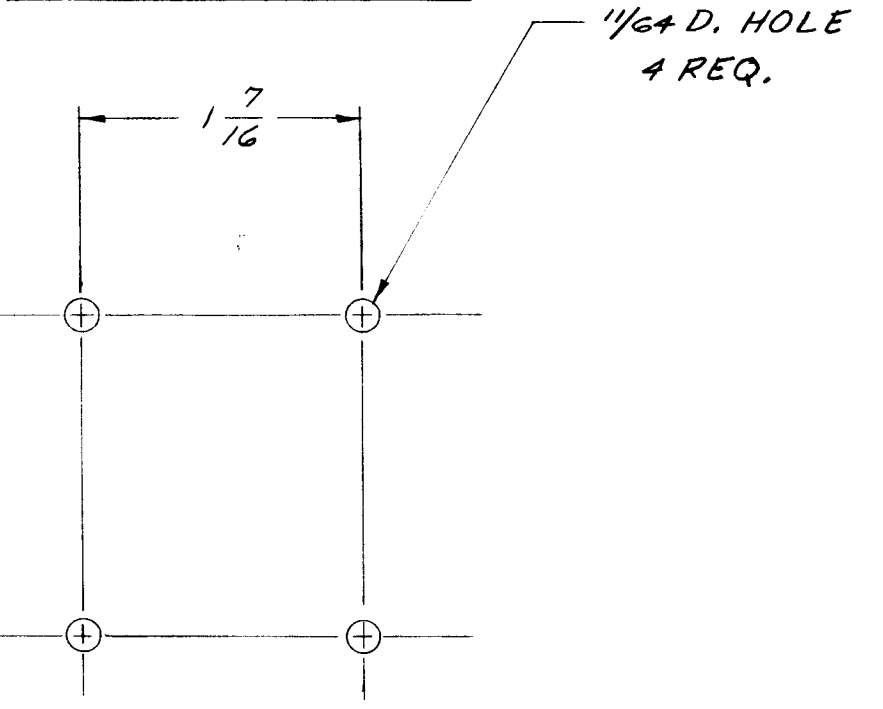


TR-168



MOUNTING TEMPLATE



ELECTRICAL SPECIFICATION

1. PRIMARY 70  $\Omega$  UNBALANCED
2. SECONDARY 500  $\Omega$  BALANCED
3. RESPONSE 2-30 MCS.  $\pm 1.5$  db.

MECHANICAL SPECIFICATION

1. CASE STEEL
2. FINISH T.M.C. GREY (S-115)
3. MOUNTING 4 - 6-32 x 1/4 STUDS
4. TERMINALS CERAMIC
5. FILLER COMPOUND

SYM	DESCRIPTION	DATE	CH. NO.	DRAFTS	CHECKER	ENG. APP.
UNLESS OTHERWISE SPECIFIED:						
DIMENSIONS ARE IN INCHES		SCALE: AA-2207				
TOLERANCES ON FRACTIONS $\pm 1/64$ DECIMALS $\pm .005$ ANGLES $\pm 1/2^\circ$		MAXIMUM ALLOWABLE TOLERANCES HAVE BEEN DETERMINED AND ANY DEVIATIONS WILL BE CAUSE FOR REJECTION. REMOVE ALL BURRS AND SHARP EDGES				

REQ. PER UNIT	MODEL	SECTION	ASS'Y. NO.	DATE
1	RAC-13			10-12-61
USED ON				

REQ.	ITEM	PART NO.	DESCRIPTION	SYMBOL
			THE TECHNICAL MATERIEL CORP. MAMARONECK, NEW YORK	
			TRANSFORMER R.F.	
			2-30 MCS.	
			W.S. 10-12-61	
			CHECKER	FINAL APPROVAL
				TR-168
			ELEC. DES. APP.	MECH. DES. APP.