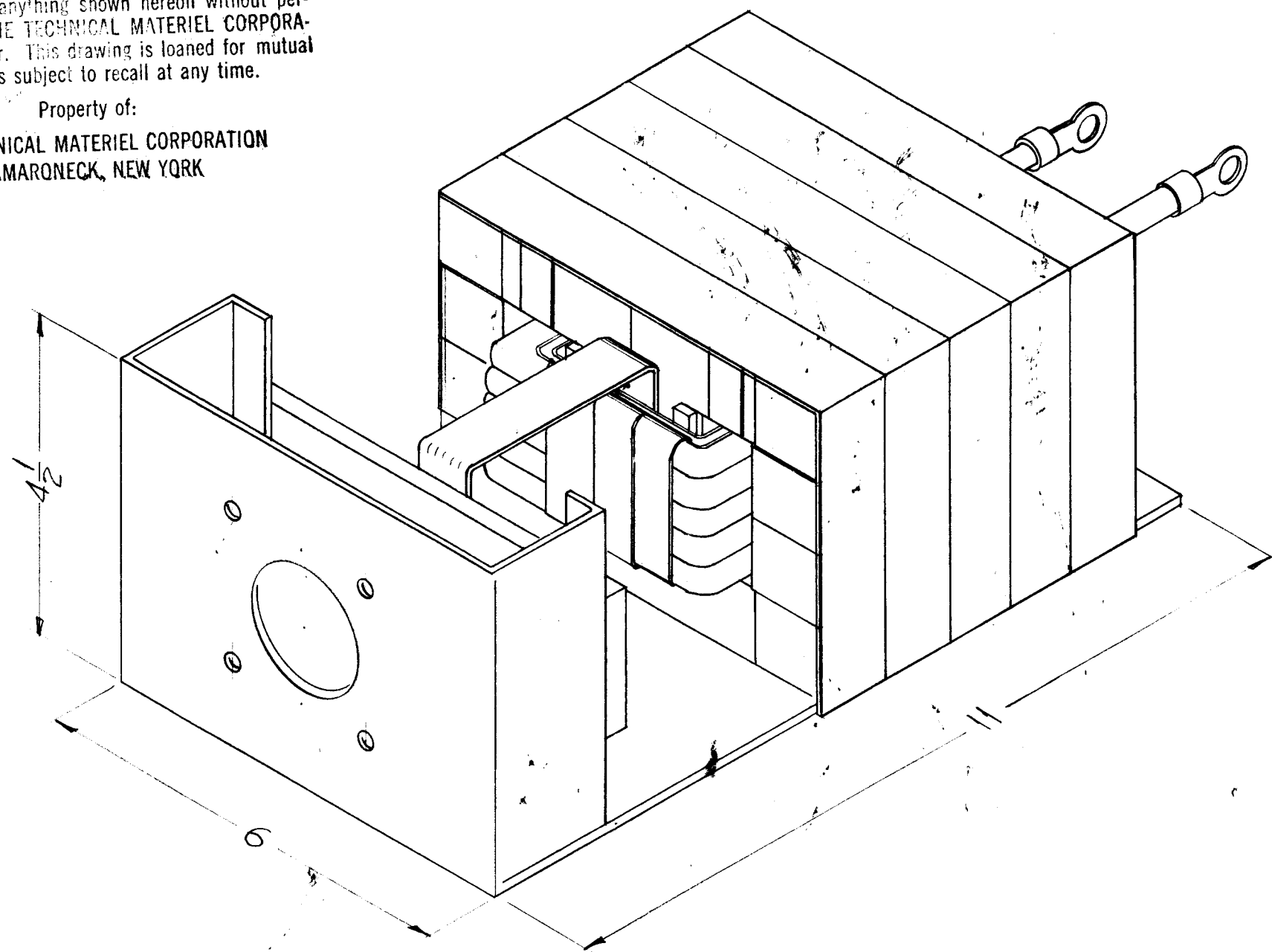


TR-167 A

NOTICE TO PERSONS RECEIVING THIS DRAWING

THE TECHNICAL MATERIEL CORPORATION claims proprietary right in the material disclosed hereon. This drawing is issued in confidence for engineering information only and may not be reproduced or used to manufacture anything shown hereon without permission from THE TECHNICAL MATERIEL CORPORATION to the user. This drawing is loaned for mutual assistance and is subject to recall at any time.

Property of:  
THE TECHNICAL MATERIEL CORPORATION  
MAMARONECK, NEW YORK



SPECIFICATIONS (TR-167-50)

50 Ω UNBAL TO 600 Ω BAL  
5 KW OUTPUT

SPECIFICATIONS (TR-167-70)

70 Ω UNBAL TO 600 Ω BAL  
5 KW OUTPUT

SPECIFICATIONS (TR-167-50-800)

50 Ω UNBAL TO 800 Ω BAL  
10 KW OUTPUT

A	SPECIFICATION TR167-50-800 ADD	5-22-61		GDL		
SYM	DESCRIPTION	DATE	CH. NO.	DRAFTS	CHECKER	ENG. APP.
UNLESS OTHERWISE SPECIFIED:		SCALE: 8A-2162				
DIMENSIONS ARE IN INCHES		MAXIMUM ALLOWABLE TOLERANCES HAVE BEEN DETERMINED AND ANY DEVIATIONS WILL BE CAUSE FOR REJECTION.				
TOLERANCES ON FRACTIONS ± 1/64 DECIMALS ± .005 ANGLES ± 1/2°		REMOVE ALL BURRS AND SHARP EDGES				

1	TRC-5K			9-18-61	
REQ. PER UNIT	MODEL	SECTION	ASS'Y. NO.	DATE	
USED ON					

REQ. ITEM	PART NO.	DESCRIPTION		SYMBOL
		THE TECHNICAL MATERIEL CORP., MAMARONECK, NEW YORK		
STOCK SIZE		TRANSFORMER, 5K		
MATERIAL				
		D.J.M.	W.P.	O.J.B.
TYPE & TEMPER	HEAT TREAT. SPEC.	DRAWN	CHECKER	FINAL APPROVAL
		qa		TR-167 A
FINISH & SPEC. NO.		ELEC. DES. APP.	MECH. DES. APP.	