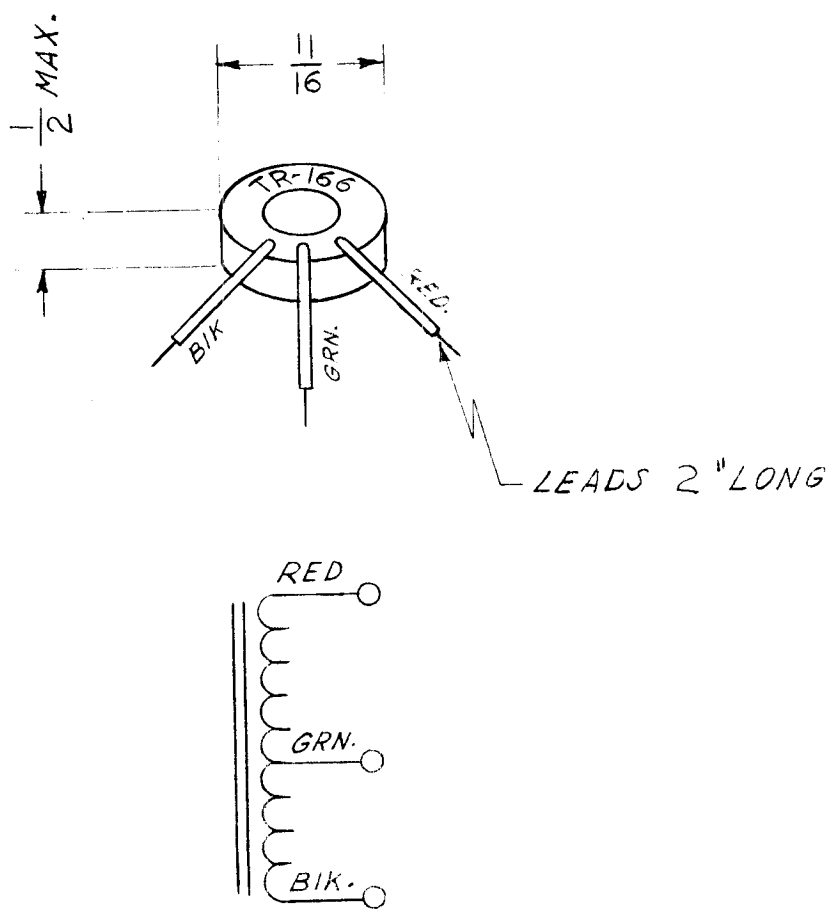


REQ. PER. UNIT	USED ON		
	MODEL	ASSY. NO.	DATE
1	A-1516	T124	3-31-58
1	RTF-2	INT/CON.	12-9-58
1	AO-101	AO-102	

TR-166 A



ELECTRICAL SPECIFICATIONS
TOTAL TURNS-12

MECHANICAL SPECIFICATIONS
CORE — TOROIDAL
WIRE — #30 MAGNET
Potted in plastic Compound

								REQ.	ITEM	PART NO.	DESCRIPTION	SYMBOL	
											THE TECHNICAL MATERIEL CORP. MAMARONECK, NEW YORK		
											TRANSFORMER, HF, VMO INPUT		
A		LEADS WERE 1 1/2"	11/10/66	17204	RME								
ISSUE	ITEM	CHANGED FROM	DATE	CH. NO.	DRAFTS	CHECKER	ENG. APP.						
TOLERANCES			SCALE:	NO NPL	1A1813					GDL			
DEC. DIM. ± FRAC. DIM. ± ANGULAR DIM. ±			MAXIMUM ALLOWABLE TOLERANCES HAVE BEEN DETERMINED AND ANY DEVIATIONS WILL BE CAUSE FOR REJECTION. REMOVE ALL BURRS AND SHARP EDGES					TYPE & TEMPER		HEATTREAT. SPEC.	DRAWN	CHECKED	FINAL APPROVAL
								FINISH & SPEC. NO.		ELEC. DES. APP	MECH. DES. APP	TR-166	A