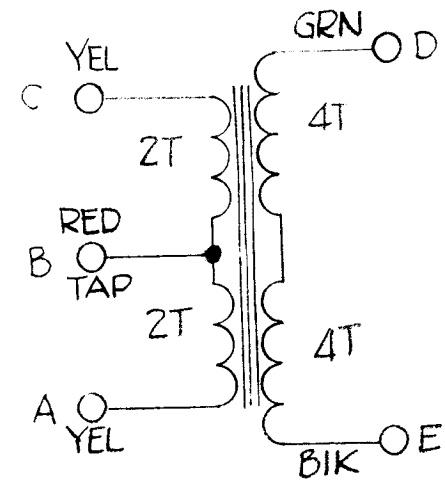
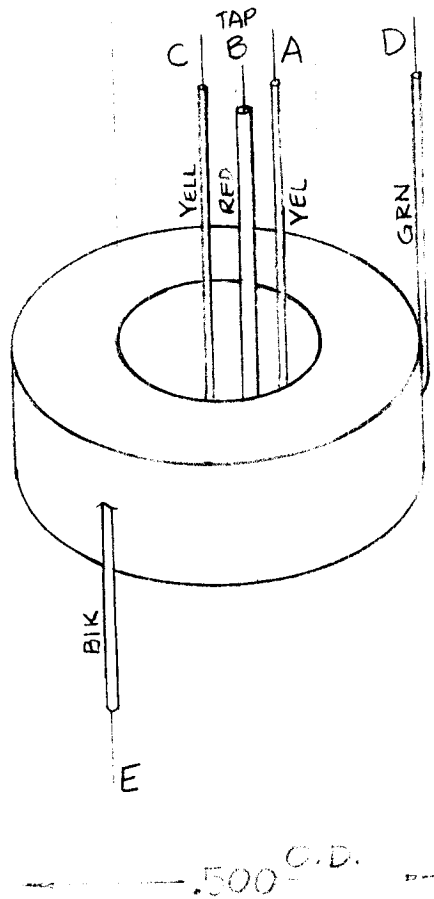


REQ. PER. UNIT	USED ON			TR-163	A
	MODEL	ASS'Y. NO.	DATE		
1	CHG-1	I.F. SECT.	11/3/60		

1/4" .250



ELECTRICAL SPECIFICATION:

WIRE #30 MAGNET WIRE  
 WINDING A-C 4 TOTAL TURNS  
 WINDING D-E 8 TOTAL TURNS  
 CORE-TOROIDAL (FERROX CUBE)  
 IMPEDANCE: A-C = 70 Ω BAL  
 D-E = 300 Ω BAL  
 FREQ. RANGE: 2-30 MHz

REQ. ITEM PART NO.								DESCRIPTION		SYMBOL	
								THE TECHNICAL MATERIEL CORP.			
								MAMARONECK, NEW YORK			
								TRANSFORMER, RE FIXED			
								MATERIAL			
A	1	ELEC SPEC (IMPEDANCE 300Ω WAS 500Ω)	11-20-61	5935	D. L.						
ISSUE	ITEM	CHANGED FROM	DATE	CH. NO.	DRAFTS	CHECKER	ENG. APP.				
TOLERANCES			SCALE: ZA-2015								
DEC. DIM. ±			MAXIMUM ALLOWABLE TOLERANCES HAVE BEEN DETERMINED AND ANY DEVIATIONS WILL BE CAUSE FOR REJECTION. REMOVE ALL BURRS AND SHARP EDGES								
FRAC. DIM. ±											
ANGULAR DIM. ±											
TYPE & TEMPER HEAT TREAT. SPEC.								DRAWN	CHECKED	FINAL APPROVAL	
FINISH & SPEC. NO.										TR-163	A