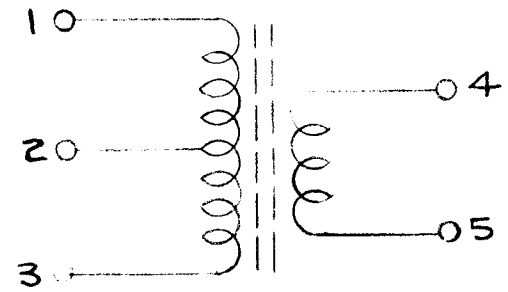
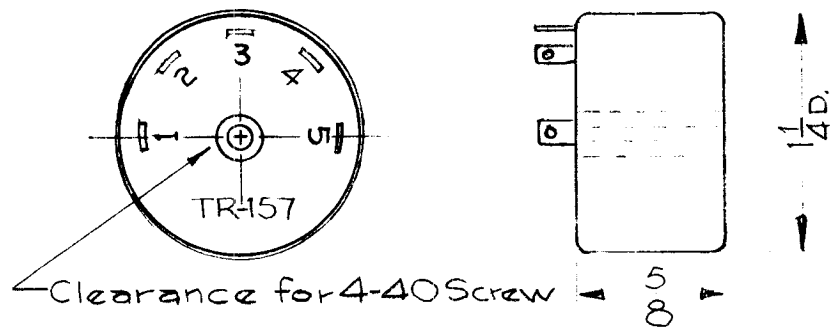


REQ. PER. UNIT	USED ON			TR-157	A
	MODEL	ASS'Y. NO.	DATE		
1	AK-100		11-18-59		

— ELECTRICAL SPEC. —

PRIMARY: 9-13 mh Q=>5
 SECONDARY: 1.1-1.5 mh Q=>2



ISSUE	ITEM	CHANGED FROM	DATE	CH. NO.	DRAFTS	CHECKER	ENG. APP.	REQ.	ITEM	PART NO.	DESCRIPTION	SYMBOL					
											THE TECHNICAL MATERIEL CORP. MAMARONECK, NEW YORK.						
											TRANSFORMER, R.F.						
A	1	LEADS & COLORS DELETED. NOS ADDED	9-16-63	9958													
TOLERANCES			SCALE: 2A-1807					TYPE & TEMPER		HEAT TREAT. SPEC.		DRAWN		CHECKED		FINAL APPROVAL	
DEC. DIM. ± FRAC. DIM. ± ANGULAR DIM. ±			MAXIMUM ALLOWABLE TOLERANCES HAVE BEEN DETERMINED AND ANY DEVIATIONS WILL BE CAUSE FOR REJECTION. REMOVE ALL BURRS AND SHARP EDGES									ELEC. DES. APP		MECH. DES. APP		TR-157	
										FINISH & SPEC. NO.		ELEC. DES. APP		MECH. DES. APP		TR-157	