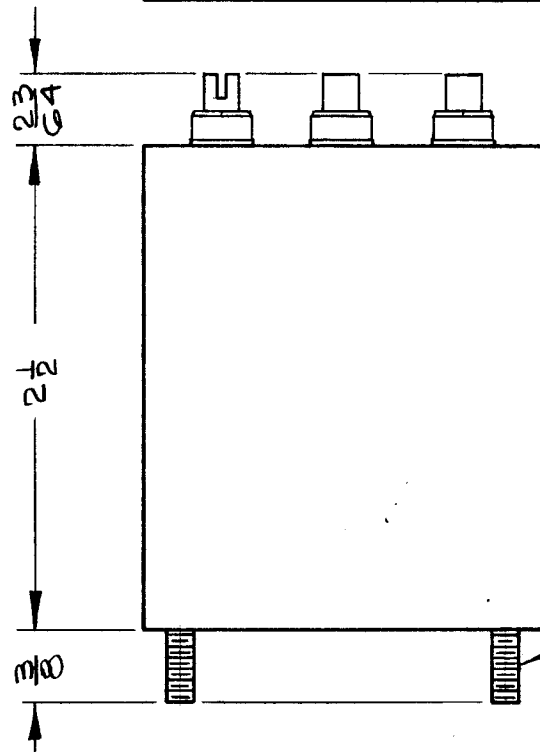
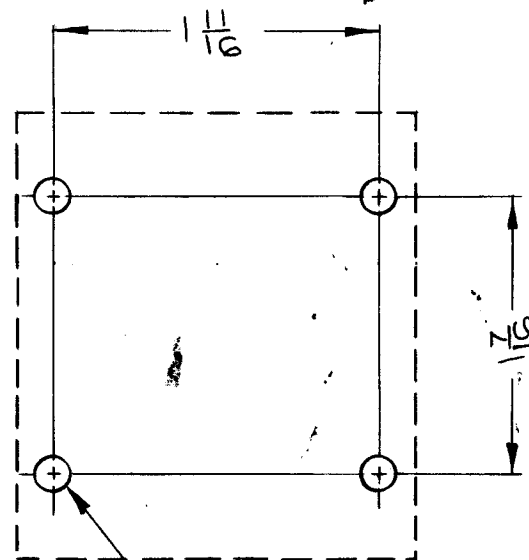


— SCHEMATIC DIAGRAM —

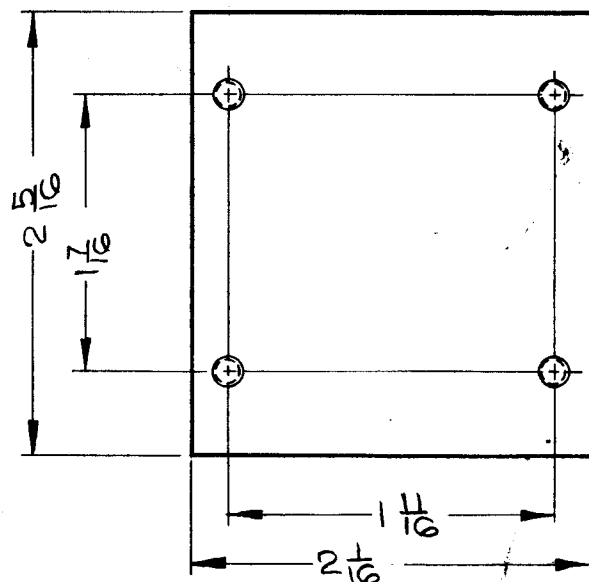


6-32 STUD (4 REQ)



1/64 DIA - 4 HOLES

— DRILLING PLAN —



NOTES

1	HLC-3	
1	HLC-1	
Q'TY./UNIT	MODEL USED ON	ASS'Y. NO.
SCALE	CODE	4A-10281
THE CONTENTS OF THIS DRAWING ARE THE EXCLUSIVE PROPERTY OF THE TECHNICAL MATERIEL CORP. ITS UNAUTHORIZED USE OR REPRODUCTION IN WHOLE OR IN PART IS STRICTLY FORBIDDEN.		

TR-154 A

REVISIONS

SYM	DESCRIPTION	DATE	E.M.N. NO.	DRAFT	CHKD	APPD
A	TERM. 70 ROTATED 90°, TR-154 MARKING RELOC.	8-26-64	12215	JTB	JTB	MM

SPECIFICATIONS

- IMPEDANCE DATA:
 - A. INPUT IMPEDANCE - 350 OHMS BALANCED
 - B. OUTPUT IMPEDANCE - 70 OHMS UNBALANCED
- OPERATING FREQUENCY RANGE: 15-1500KCS.
- FREQUENCY RESPONSE OVER FREQUENCY RANGE: WITHIN 1.5 db.
- AVERAGE POWER RATING: NOT RATED; RECEIVING APPLICATION
- CASE DATA:
 - A. MATERIAL - STEEL
 - B. HERMETICALLY SEALED AND POTTED
 - C. FINISH - S-115 SMOOTH GRAY ENAMEL

REQ'D.	ITEM	PART NUMBER	DESCRIPTION	SYMBOL
I. JOHNSON LIST OF MATERIAL				
MATERIAL			THE TECHNICAL MATERIEL CORP. MAMARONECK, NEW YORK	
FINISH			TITLE TRANSFORMER, R.F.	
UNLESS OTHERWISE SPECIFIED DIMENSIONS ARE IN INCHES AND INCLUDE CHEMICALLY APPLIED OR PLATED FINISHES			DRAWN: <i>[Signature]</i> CHECKED: <i>[Signature]</i> ELECT. DES: <i>[Signature]</i> MECH. DES: <i>[Signature]</i>	DATE: 8-28-63 DATE: 10/1/63 DATE: 10/1/63 DATE: 10/1/63
DECIMALS: .X ± .05, .XX ± .01, .XXX ± .005			TOLERANCES: ± 1/64 ANGLES ± 0° 30'	
THE CONTENTS OF THIS DRAWING ARE THE EXCLUSIVE PROPERTY OF THE TECHNICAL MATERIEL CORP. ITS UNAUTHORIZED USE OR REPRODUCTION IN WHOLE OR IN PART IS STRICTLY FORBIDDEN.			FINAL APPROVAL: <i>[Signature]</i> DATE: 10/1/63 TR-154	DATE: A REV. LTR.