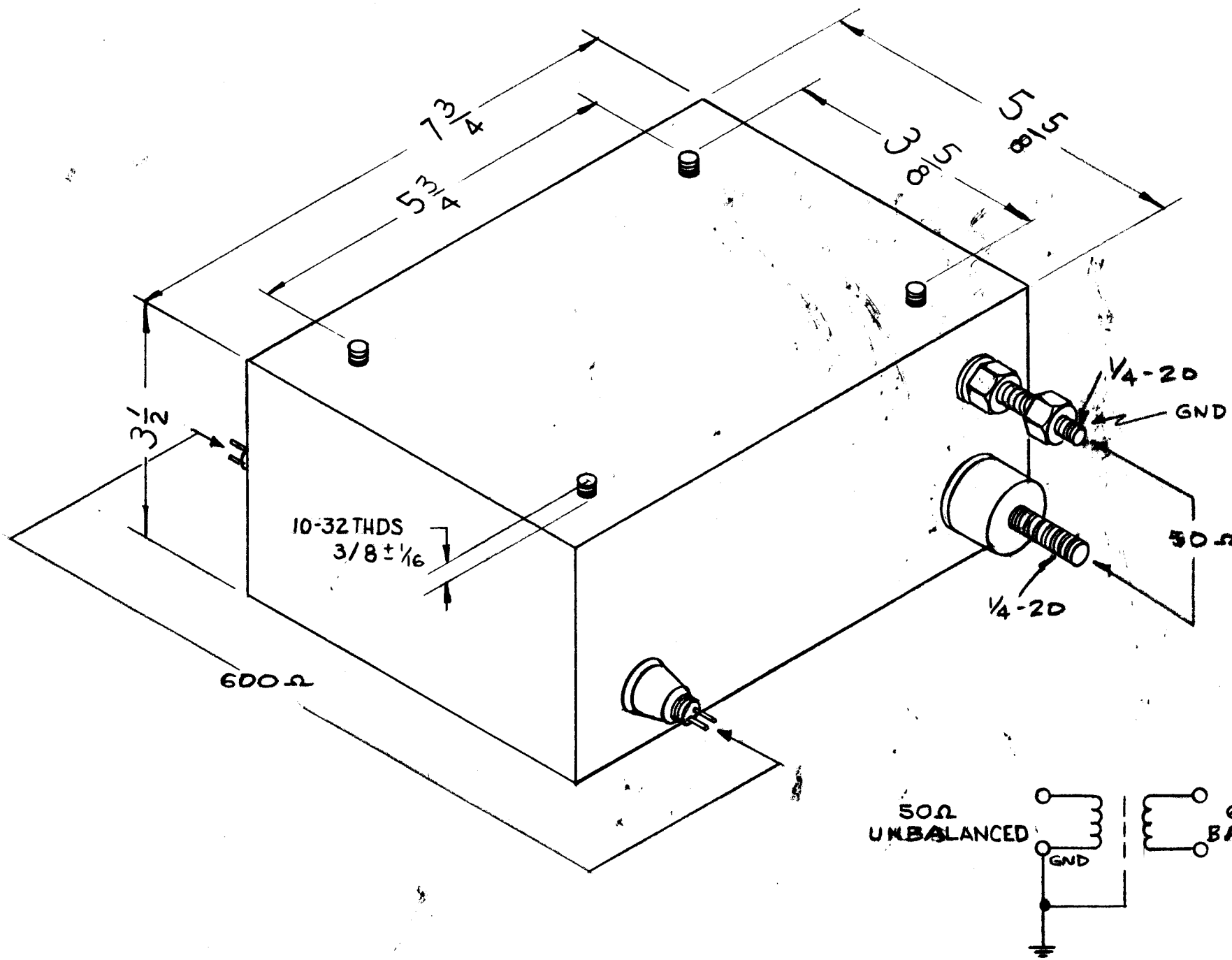
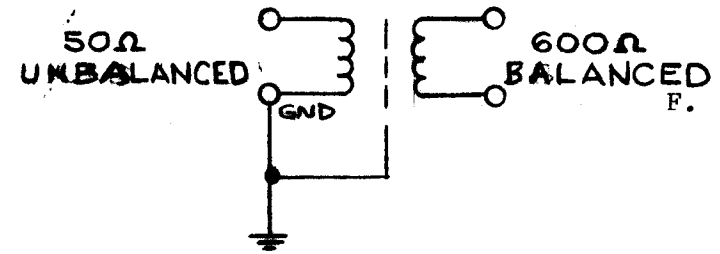


TR-153 A



1. TRANSFORMER, RADIO FREQUENCY
4. Winding data
 - A. 5 1 winding
 - B. not rated for nom. inductance
 - C. 2 turns
 - D. 1/4 in. flattened, tinned copper flexible shield.
 - E. untapped
 - A. 5 1 winding
 - B. not rated for nom inductance
 - C. 5 turns
 - D. 1/8 in. O.D. copper tubing
 - F. untapped
5. Case data
 - A. cased
 - B. steel
- 6A. Ferramic coil form
- 6.5 See Illustration (Over-all dim. data)
7. N/A
8. Mounting data
 - A. stud mounted
 - B. four 10-32 x 3/8" lg. studs on 3-5/8 x 5-3/4" mtg. centers
9. Terminal data
 - A. two
 - B. solder stud type
 - A. two
 - B. screw type
- 10.5 2 to 32 Mc operating freq. range
11. Electrical Specs
 - A. 50 ohm unbalanced to 600 ohm balanced
12. N/A
13. SR-5, the mfr. data
 - a. The Technical Materiel Corporation
 - b. Mamaroneck, New York
 - c. 82679
 - d. TR-153
 - e. N/A
 - D. For specific use
 1. The Technical Materiel Corporation
 2. Antenna Coupler
 3. Model TRC-3500-50/600
 4. T101
 - F. N/A



A TO 10-32 THDS, ±1/16 TOL. ADDED		10.28.64	12793	WBS	JK	SB
SYM	DESCRIPTION	DATE	CH. NO.	DRAFTS	CHECKER	ENG. APP.
UNLESS OTHERWISE SPECIFIED:		SCALE: 8A-1551				
DIMENSIONS ARE IN INCHES		MAXIMUM ALLOWABLE TOLERANCES HAVE BEEN DETERMINED AND ANY DEVIATIONS WILL BE CAUSE FOR REJECTION.				
TOLERANCES ON FRACTIONS ± 1/64 DECIMALS ± .005 ANGLES ± 1/2°		REMOVE ALL BURRS AND SHARP EDGES				

1	TRC-3500	50/600	2-20-61
REQ. PER UNIT	MODEL	SECTION	ASS'Y. NO. DATE
USED ON			

REQ.	ITEM	PART NO.	DESCRIPTION	SYMBOL
			THE TECHNICAL MATERIEL CORP., MAMARONECK, NEW YORK	
			TRANSFORMER, RF, FIXED	
			MATERIAL	
			RUZZO	16
			TYPE & TEMPER	HEAT TREAT. SPEC.
			DRAWN	CHECKER
			1B	AM
			FINISH & SPEC. NO.	ELEC. DES. APP. MECH. DES. APP.
			TR-153	A