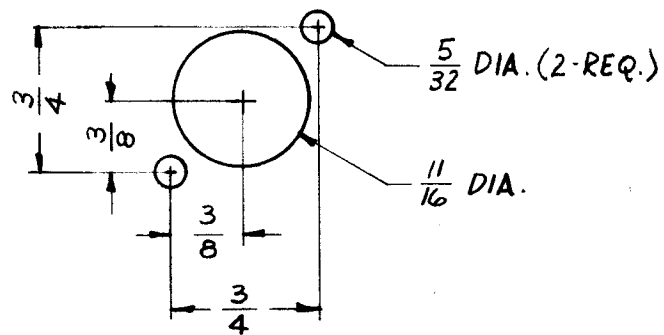
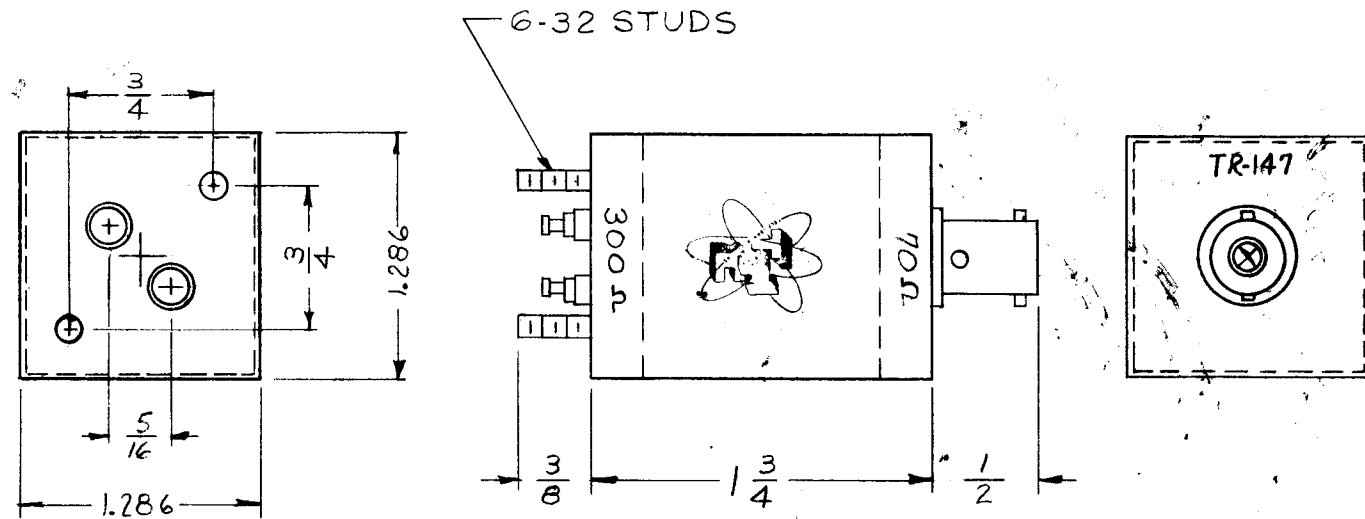
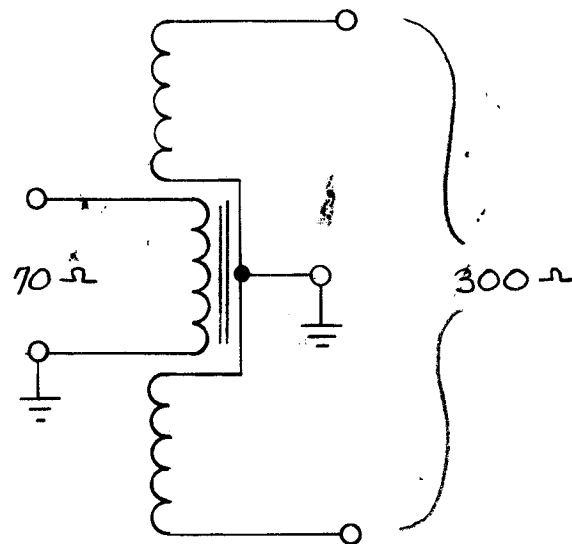


TR-147



MOUNTING DETAIL



REVISIONS

SYM	DESCRIPTION	DATE	E.M.N. NO.	DRAFT	CHKD	APPD
-----	-------------	------	------------	-------	------	------

MECHANICAL SPECIFICATIONS

- 1~ CASE STEEL
- 2~ COLOR TMC GRAY (S-115)
- 3~ TERMINALS CERAMIC
- 4~ FILLER COMPOUND
- 5~ STUDS 6-32 x 3/8

ELECTRICAL SPECIFICATIONS

- 1~ IMPEDANCE ~ 70 Ω UNBALANCED TO 300 Ω BALANCED
- 2~ FREQUENCY RESPONSE ~ 0.5 TO 50 MC ± 1.5 db

THE TECHNICAL MATERIEL CORPORATION claims proprietary right in the design of the transformer herein. This drawing is issued as confidential engineering information only and may not be reproduced or used to manufacture any transformer without permission from THE TECHNICAL MATERIEL CORPORATION to the user. This drawing is loaned for mutual assistance and is subject to recall at any time.

Property of:
 THE TECHNICAL MATERIEL CORPORATION
 MAMARONECK, NEW YORK

REQ'D.	ITEM	PART NUMBER	DESCRIPTION	SYMBOL
--------	------	-------------	-------------	--------

GELLMAN

LIST OF MATERIAL

MATERIAL	THE TECHNICAL MATERIEL CORP. MAMARONECK, NEW YORK			
FINISH	TITLE TRANSFORMER, R.F. 0.5 TO 50 MC			

Q'TY./UNIT	MODEL USED ON	ASS'Y. NO.
SCALE	CODE	4A-3069

UNLESS OTHERWISE SPECIFIED DIMENSIONS ARE IN INCHES AND INCLUDE CHEMICALLY APPLIED OR PLATED FINISHES		DRAWN	DATE	FINAL APPROVAL	DATE
DECIMALS .X ± .05 .XX ± .01 .XXX ± .005	TOLERANCES	G. Sreen	9-17-62	BP	
FRACTIONS ± 1/64 ANGLES ± 0° 30'		Checked	9-17-62		
		ELECT. DES.		TR-147	
		MECH. DES.	9-17-62		

NOTES

THE CONTENTS OF THIS DRAWING ARE THE EXCLUSIVE PROPERTY OF THE TECHNICAL MATERIEL CORP. ITS UNAUTHORIZED USE OR REPRODUCTION IN WHOLE OR IN PART IS STRICTLY FORBIDDEN.