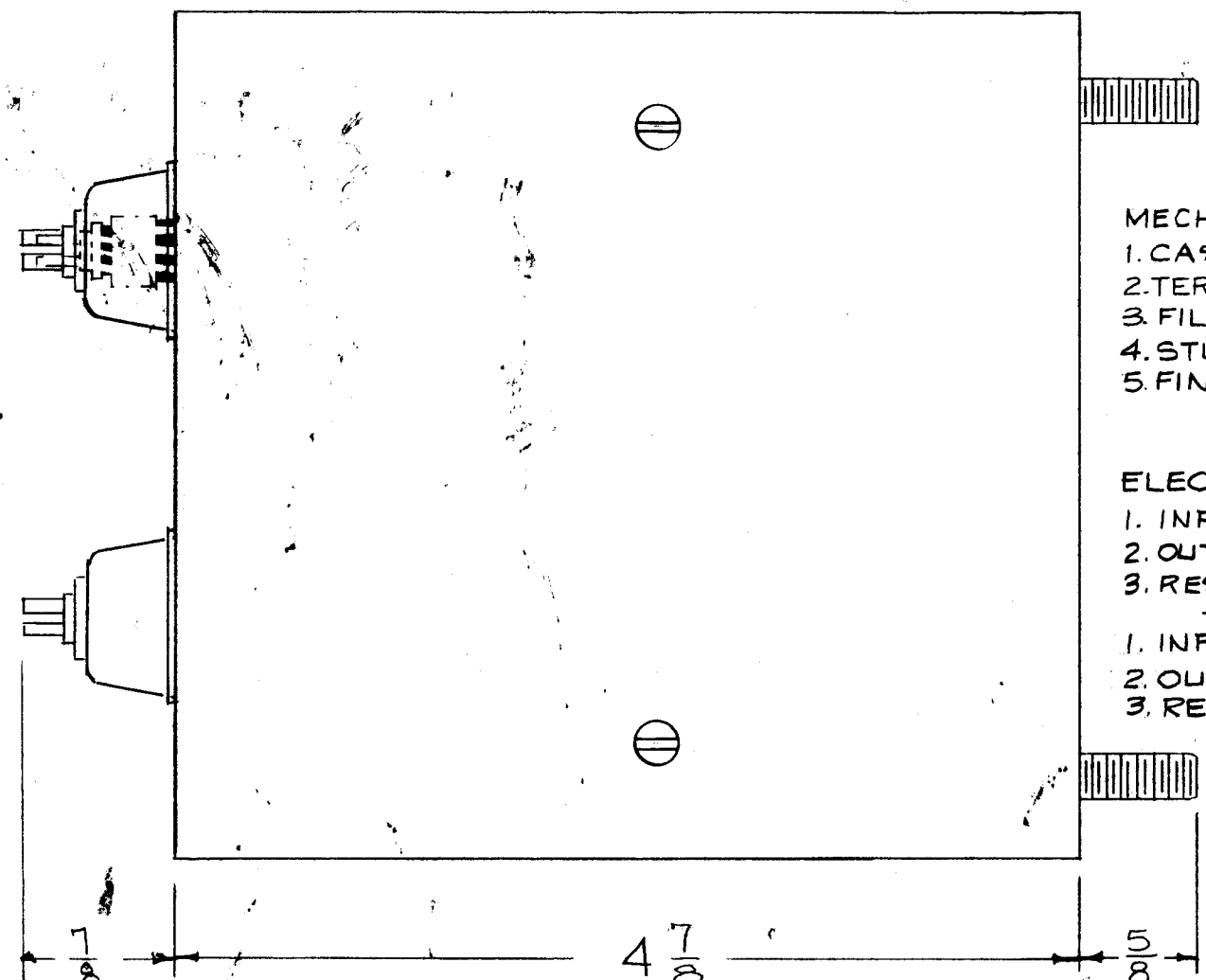
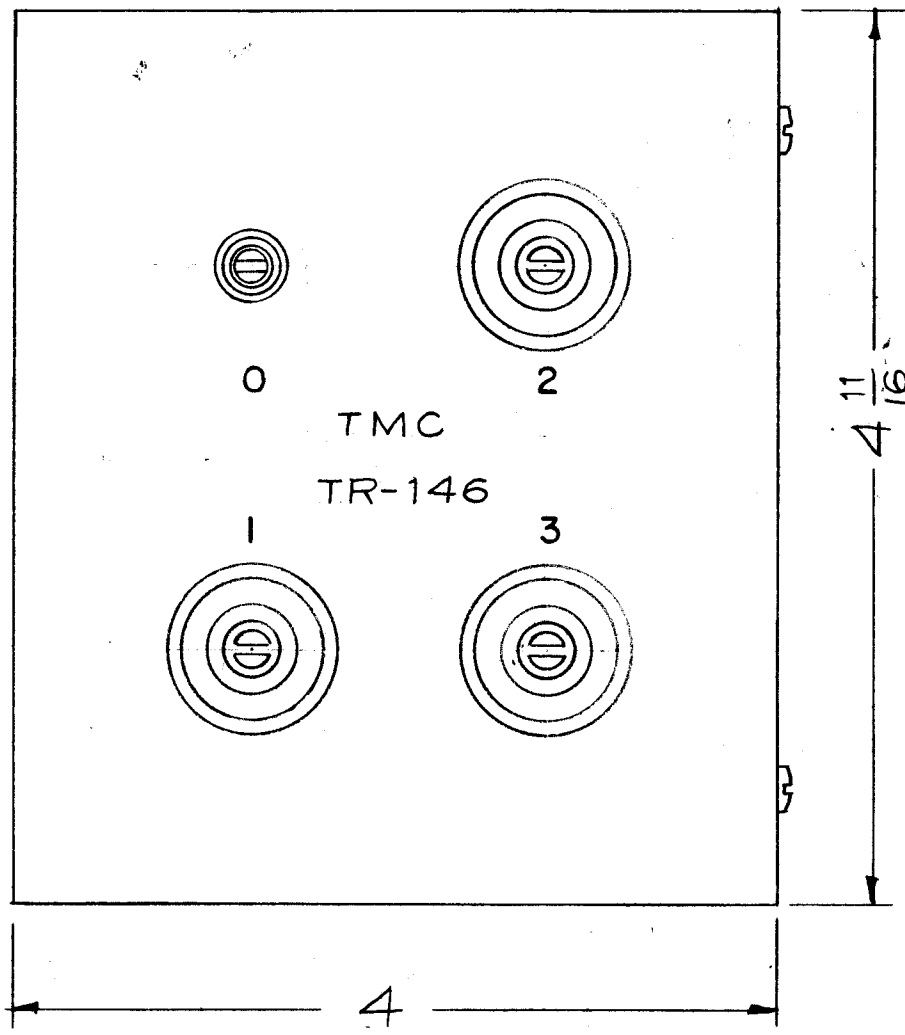


TR-146 D

NOTICE TO PERSONS RECEIVING THIS DRAWING

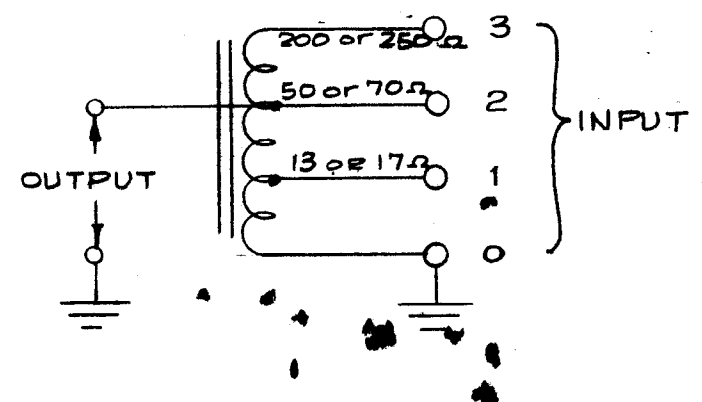
THE TECHNICAL MATERIEL CORPORATION claims proprietary right in the material disclosed hereon. This drawing is issued in confidence for engineering information only and may not be reproduced or used to manufacture anything shown hereon without permission from THE TECHNICAL MATERIEL CORPORATION to the user. This drawing is loaned for mutual assistance and is subject to recall at any time.

Property of:  
THE TECHNICAL MATERIEL CORPORATION  
MAMARONECK, NEW YORK

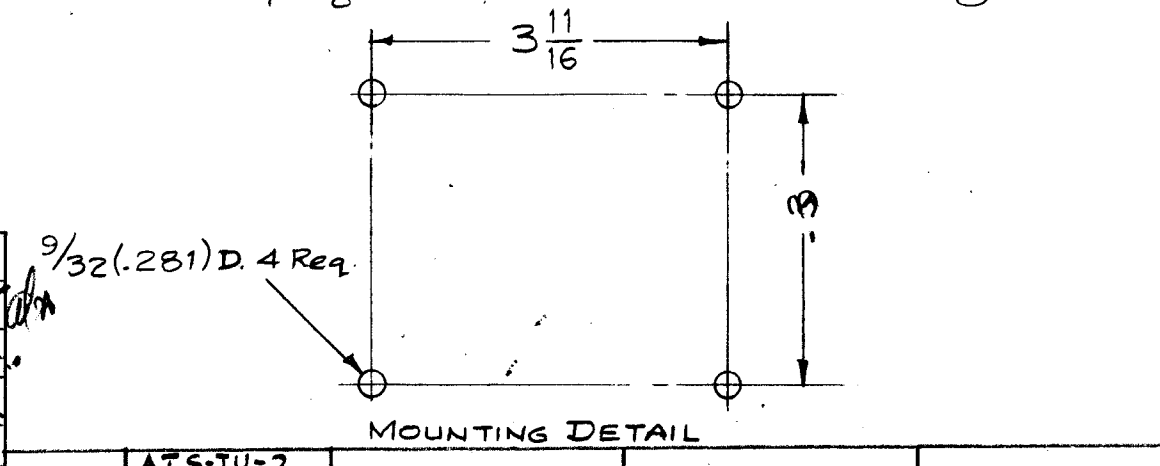


- MECHANICAL DATA
1. CASE - STEEL (MIL TYPE M B)
  2. TERMINALS - SOLDER TYPE, CERAMIC
  3. FILLER - NONE
  4. STUDS - 1/4-20 Thd. x 5/8 LONG
  5. FINISH - SMOOTH GREY ENAMEL

- ELECTRICAL DATA
1. INPUT - 17 Ω, 70 Ω, 250 Ω UNBAL.
  2. OUTPUT - 70 Ω UNBAL.
  3. RESPONSE - 2-30 MC.
- OR
1. INPUT - 13 Ω, 50 Ω, 200 Ω UNBAL.
  2. OUTPUT - 50 Ω UNBAL.
  3. RESPONSE - 2-30 MC.



D	1	4 7/8 DIM. WAS 4 15/16	1/15/63	10688	DR	CR	WJE	9/32 (.281) D. 4 Req.
C	1	CHGD TERMINALS 1, 2 & 3 TO Agree w/DETAIL	8/18/58	429	WJE	WJE	WJE	
B	1	ELECT. DATA ADDED FOR 50 Ω USE	2/4/58	2	WJE	BR	BR	
A	1	COMPL. REV. CASE SIZE, TERM. ARRANG. CHG'D.	2/5/58	1	WJE	DR	DR	



REQ. ITEM	PART NO.	DESCRIPTION	SYMBOL
#	#	THE TECHNICAL MATERIEL CORP. MAMARONECK, NEW YORK	
#	#	TRANSFORMER, RF,	
#	#	50 OR 70 Ω	
#	#	16 1/2 3/16 57	
TYPE & TEMPER	HEAT TREAT. SPEC.	DRAWN	CHECKED
FINISH & SPEC. NO.	ELEC. DES. APP.	MECH. DES. APP.	TR-146 D

TOLERANCES		SCALE: 1	8A-1492
DEC. DIM. ±	MAXIMUM ALLOWABLE TOLERANCES HAVE BEEN DETERMINED AND ANY DEVIATIONS WILL BE CAUSE FOR REJECTION.		
FRAC. DIM. ± 1/64	REMOVE ALL BURRS AND SHARP EDGES		
ANGULAR DIM. ±			

REQ. PER UNIT	MODEL	PROJECT NO.	ASS'Y. NO.	DATE
1	ATS-TU-2			2-14-58
1	ATS-50TU			12-31-57
1	ATS-70TU			
USED ON				