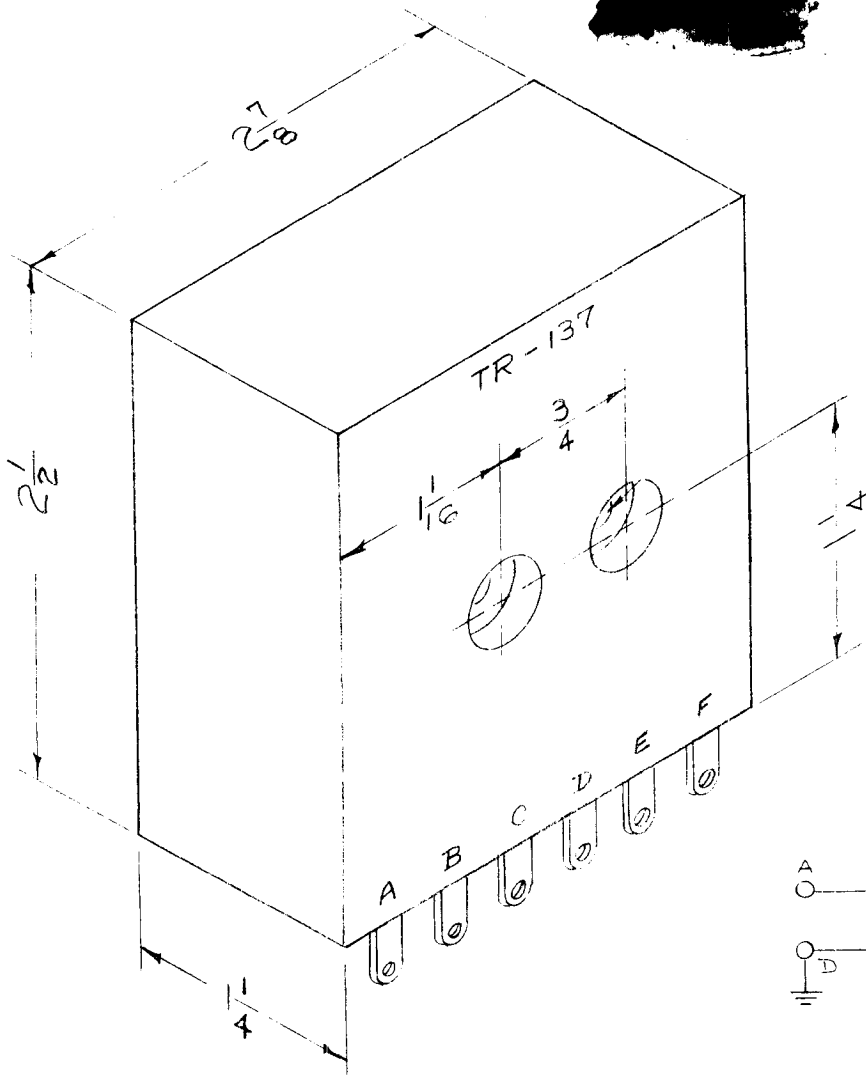
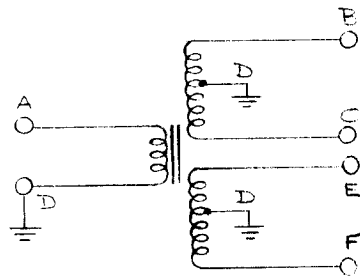


REQ. PER UNIT	USED ON			TR-137	A
	MODEL	ASS'Y. NO.	DATE		
1	HFD-1-2		3-28-56		



ELECTRICAL SPECIFICATION:
 FREQUENCY RANGE - 2-30 MC.
 INPUT IMPEDANCE 50/70 Ω UNBALANCED.
 OUTPUT " 50/70 Ω "
 INSERTION LOSS - NOMINALLY 2 db
 BELOW OPTIMUM
 DISTRIBUTION.

CONNECTIONS A - ANTENNA INPUT.
 B,C,E,F - RECEIVER " "
 D - GROUND.



								REQ. ITEM	PART NO.	DESCRIPTION	SYMBOL		
								THE TECHNICAL MATERIEL CORP. MAMARONECK, NEW YORK					
								STOCK SIZE					
								TRANSFORMER					
								HIGH FREQUENCY DIST.					
A		50/70 Ω ADDED TO INPUT/OUTPUT SPEC.	9/17/55	14781	J.V.V.	J.C.S.	M.M.A.						
ISSUE	ITEM	CHANGED FROM	DATE	CH. NO.	DRAFTS	CHECKER	ENG. APP.						
TOLERANCES			SCALE:		4A-1244								
DEC. DIM. ± FRAC. DIM. ± ANGULAR DIM. ±			MAXIMUM ALLOWABLE TOLERANCES HAVE BEEN DETERMINED AND ANY DEVIATIONS WILL BE CAUSE FOR REJECTION. REMOVE ALL BURRS AND SHARP EDGES					TYPE & TEMPER		HEAT TREAT. SPEC.	DRAWN	CHECKED	FINAL APPROVAL
								FINISH & SPEC. NO.		ELEC. DES. APP.	MECH. DES. APP.	TR-137	A