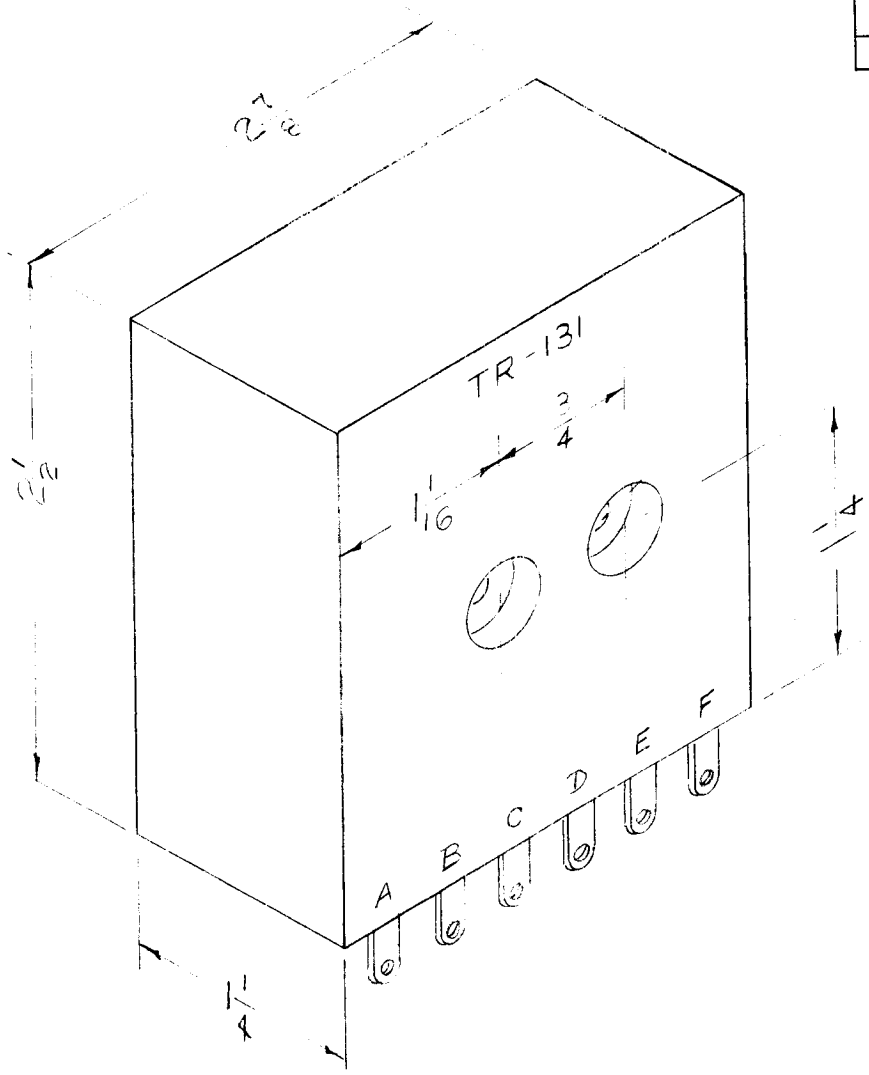
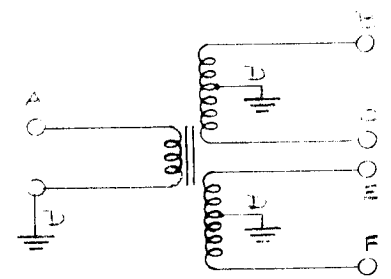


REQ. PER UNIT	USED ON			TR-131	A
	MODEL	ASS'Y. NO.	DATE		
1	LFD-2		3-28-56		



ELECTRICAL SPECIFICATION.  
 FREQUENCY RANGE - 15 - 2000 KC.  
 INPUT IMPEDANCE 50/70Ω UNBALANCED.  
 OUTPUT " 50/70Ω "  
 INSERTION LOSS - NOMINALLY 2db  
 BELOW OPTIMUM  
 DISTRIBUTION.

CONNECTIONS A - ANTENNA INPUT.  
 B, C, E, F - RECEIVER INPUT.  
 D - GROUND.



REQ.	ITEM	PART NO.	DESCRIPTION			SYMBOL					
			THE TECHNICAL MATERIÉL CORP. MAMARONECK. NEW YORK								
			TRANSFORMER								
			LOW FREQUENCY DIST.								
A			INPUT IMP. WAS 70 OHM CUT PUT IMP. WAS 50 OHM	9/9/65	14754	QCS	MM				
ISSUE ITEM			CHANGED FROM	DATE	CH. NO.	DRAFTS	CHECKER	ENG. APP.			
TOLERANCES				SCALE:	4A-1133						
DEC. DIM. ± FRAC. DIM. ± ANGULAR DIM. ±			MAXIMUM ALLOWABLE TOLERANCES HAVE BEEN DETERMINED AND ANY DEVIATIONS WILL BE CAUSE FOR REJECTION. REMOVE ALL BURRS AND SHARP EDGES			TYPE & TEMPER		HEAT TREAT. SPEC.	DRAWN	CHECKED	FINAL APPROVAL
									ARB		TP-131
						FINISH & SPEC. NO.		ELEC. DES. APP.	MECH. DES. APP.		