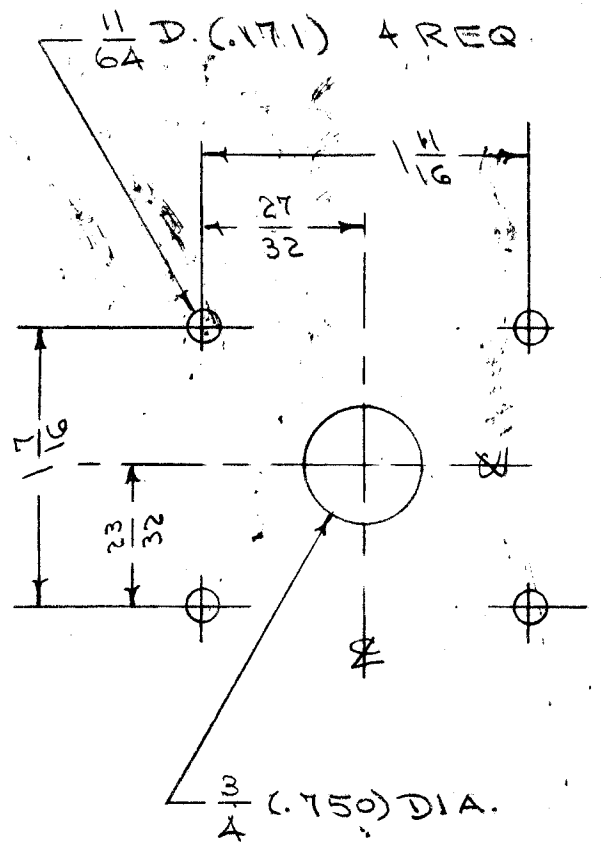
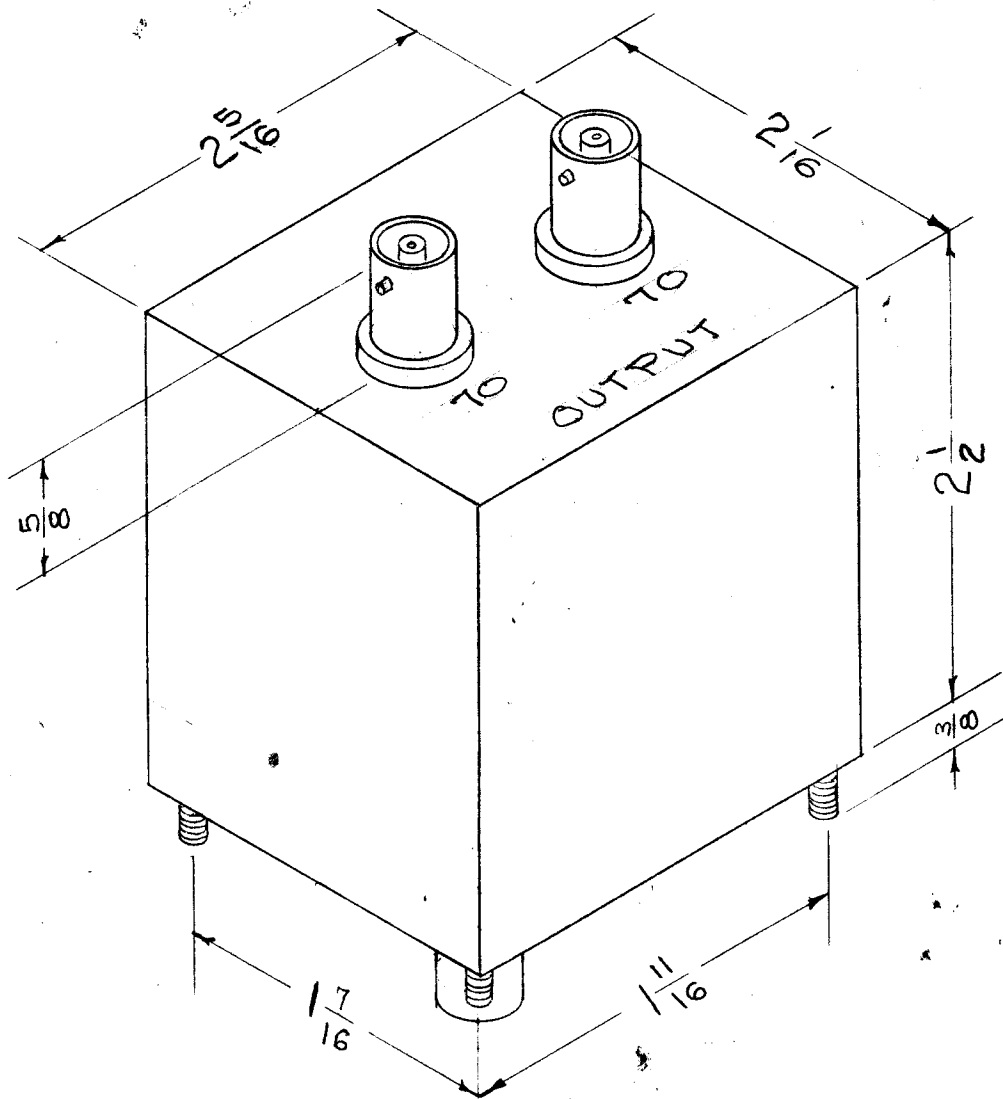


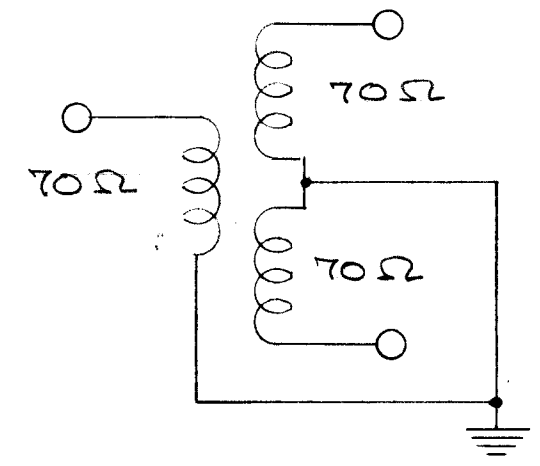
IF IT IS FOUND DESIRABLE TO CHANGE ANY TOLERANCE OR OTHER DETAIL SPECIFIED ON THIS DRAWING NOTIFY THE PURCHASER PROMPTLY.

MAXIMUM ALLOWABLE TOLERANCES HAVE BEEN DETERMINED AND DEVIATIONS WILL BE CAUSE FOR REJECTION. REMOVE ALL BURRS AND SHARP EDGES

TR-123 A



MOUNTING TEMPLATE



ELECTRICAL SPECIFICATIONS
 1 PRIMARY 70 Ω UNBALANCED
 2 SEC. #1 70 Ω "
 #2 70 Ω "
 3 RELATIVE RESPONSE ± 3db. 2 TO 30 MC.

MECHANICAL SPECIFICATIONS
 1 CASE - STEEL
 2 COLOR - GRAY
 3 STUDS - G-32 x 3/8
 4 RECEPTACLES - UG-657/U SERIES BNC
 (FOR "C" SERIES SEE TR-107)
 (FOR UHF SERIES SEE TR-135)

A	1	DIM. CHG'D. FROM 2 x 2-1/4 to 2-1/16 x 2-5/16 AS PER BX-141	1/9/58	1	16	JAL	chr
ISSUE	ITEM	CHANGED FROM	DATE	CN. NO.	DRAFTS	CHECKER	ENG. APP.
TOLERANCES		SCALE:					
ALL OTHERS	DEC. DIM. ±	DRILL, PUNCH, COMMERCIAL STOCK SIZES AND MANUFACTURERS TOLERANCES ARE NOT INCLUDED.					
	FRAC. DIM. ±						
	ANGULAR DIM. ±						

MODEL	PROJECT NO.	ASS'Y. NO.	DATE
USED ON			

REQ.	ITEM	PART NO.	DESCRIPTION	SYMBOL
			THE TECHNICAL MATERIEL CORP.	
			MAMARONECK. NEW YORK	
			TRANSFORMER, R.F.	
			70Ω UNBAL. TO 70/70Ω UNBAL.	
			CDD. 8/9/58	
			TYPE & TEMPER	
			DRAWN	
			ELEC. DES. APP.	
			MECH. DES. APP.	
			HEAT TREAT. SPEC.	
			CHECKED	
			FINAL APPROVAL	
			4A-1071	
			TR-123 A	
			FINISH & SPEC. NO.	