

IF IT IS FOUND DESIRABLE TO CHANGE ANY TOLERANCE OR OTHER DETAIL SPECIFIED ON THIS DRAWING NOTIFY THE PURCHASER PROMPTLY.

MAXIMUM ALLOWABLE TOLERANCES HAVE BEEN DETERMINED AND DEVIATIONS WILL BE CAUSE FOR REJECTION. REMOVE ALL BURRS AND SHARP EDGES

A  
TR-110

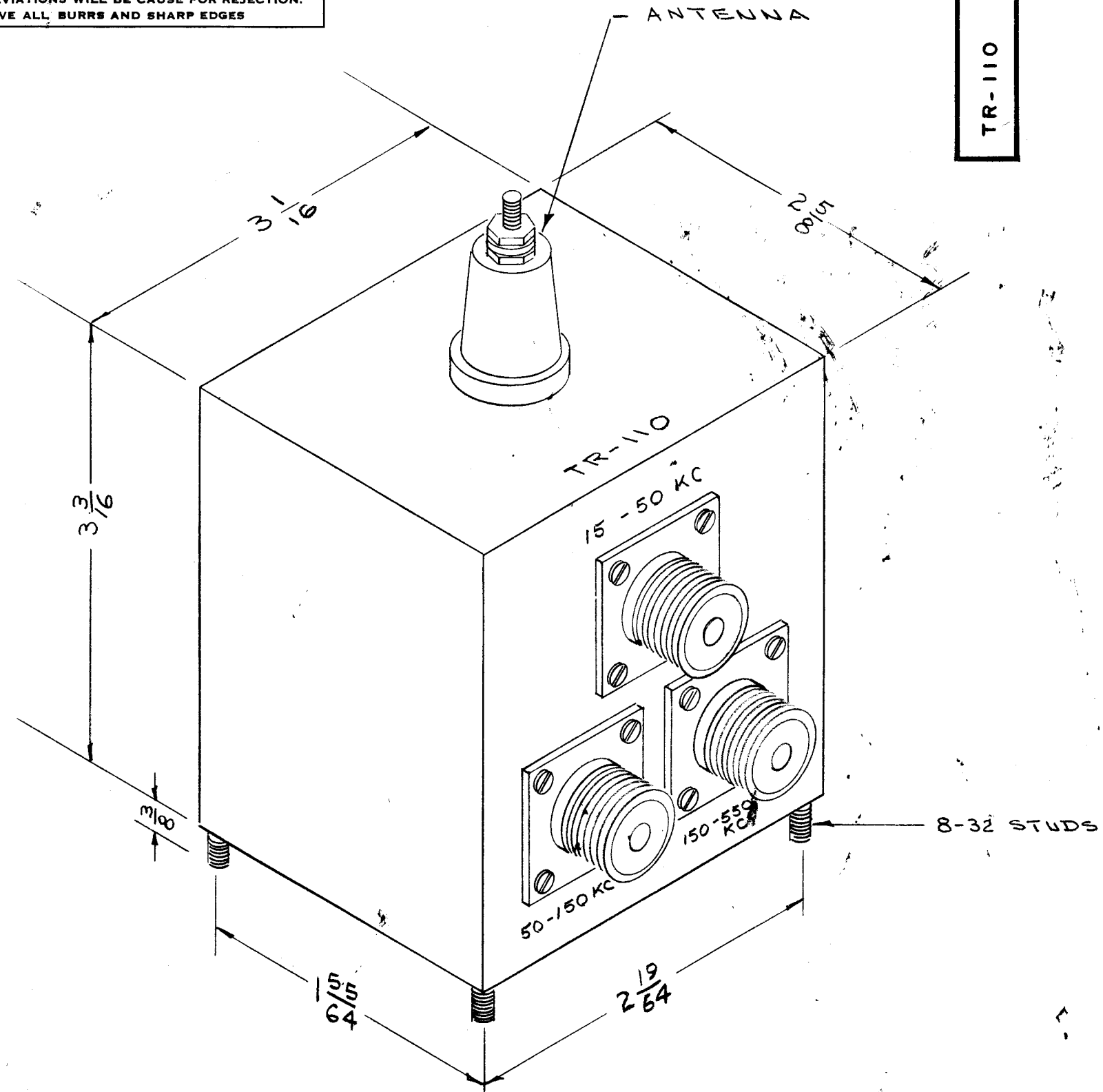
NOTICE TO PERSONS RECEIVING THIS DRAWING

THE TECHNICAL MATERIEL CORPORATION claims proprietary right in the material disclosed hereon. This drawing is issued in confidence for engineering information only and may not be reproduced or used to manufacture anything shown hereon without permission from THE TECHNICAL MATERIEL CORPORATION to the user. This drawing is loaned for mutual assistance and is subject to recall at any time.

Property of:  
THE TECHNICAL MATERIEL CORPORATION  
MAMARONECK, NEW YORK

ELECTRICAL SPECIFICATIONS

- INPUT-** Vertical Antenna having an impedance characteristic (1-50) - J (100-16000) over the frequency range 15-550 KC.
- OUTPUT-** Three 50 ohm outputs each optimized over a frequency spectrum  
 Output 1- 15-50 KC  
 Output 2- 50-150 KC  
 Output 3- 150-550 KC



A	1	DIM. CHG'D FROM 1-13/16 X 2-9/32 TO 1-55/64 X 2-19/64 AND FROM 3 TO 3 1/16 AS PER BX-135	1/9/58	1	6	WIDE	AM
ISSUE	ITEM	CHANGED FROM	DATE	CN. NO.	DRAFTS	CHECKER	ENG. APP.
TOLERANCES			SCALE:				
ALL OTHERS	DEC. DIM. ± FRAC. DIM. ± ANGULAR DIM. ±	DRILL, PUNCH, COMMERCIAL STOCK SIZES AND MANUFACTURERS TOLERANCES ARE NOT INCLUDED.					
REQ. PER UNIT	MODEL	PROJECT NO.	ASS'Y. NO.	DATE	USED ON		

REQ. ITEM	PART NO.	DESCRIPTION	SYMBOL
		THE TECHNICAL MATERIEL CORP. MAMARONECK, NEW YORK	
STOCK SIZE		LOW FREQUENCY	
MATERIAL WEIGHT PER PC.		ANTENNA MATCHING TRANSFORMER	
TYPE & TEMPER		DATE 2-21-55	JB
HEAT TREAT. SPEC.		DRAWN	MECH. DES. APP.
		2-21-55	AM
		CHECKED	FINAL APPROVAL
FINISH & SPEC. NO.		4A-968	TR-110
			A