

IF IT IS FOUND DESIRABLE TO CHANGE ANY TOLERANCE OR OTHER DETAIL SPECIFIED ON THIS DRAWING NOTIFY THE PURCHASER PROMPTLY.

DIMENSIONS IN INCHES UNLESS OTHERWISE SPECIFIED

MAXIMUM ALLOWABLE TOLERANCES HAVE BEEN DETERMINED AND DEVIATIONS WILL BE CAUSE FOR REJECTION. REMOVE ALL BURRS AND SHARP EDGES.

ISSUE	ITEM	CHANGED FROM	DATE	CN. NO.	DRAFTS	CHECKER	ENG. APP.
A	1	Left side view Deleted	7-7-61	5206	RU	<i>[Signature]</i>	<i>[Signature]</i>
A	2	Pictorial Clarified					
B	1	Added (2) Lugs to Pictorial	7/27/61	5335	Djm	<i>[Signature]</i>	<i>[Signature]</i>

REQ.	ITEM	PART NO.	DESCRIPTION	SYMBOL
------	------	----------	-------------	--------

TR-089

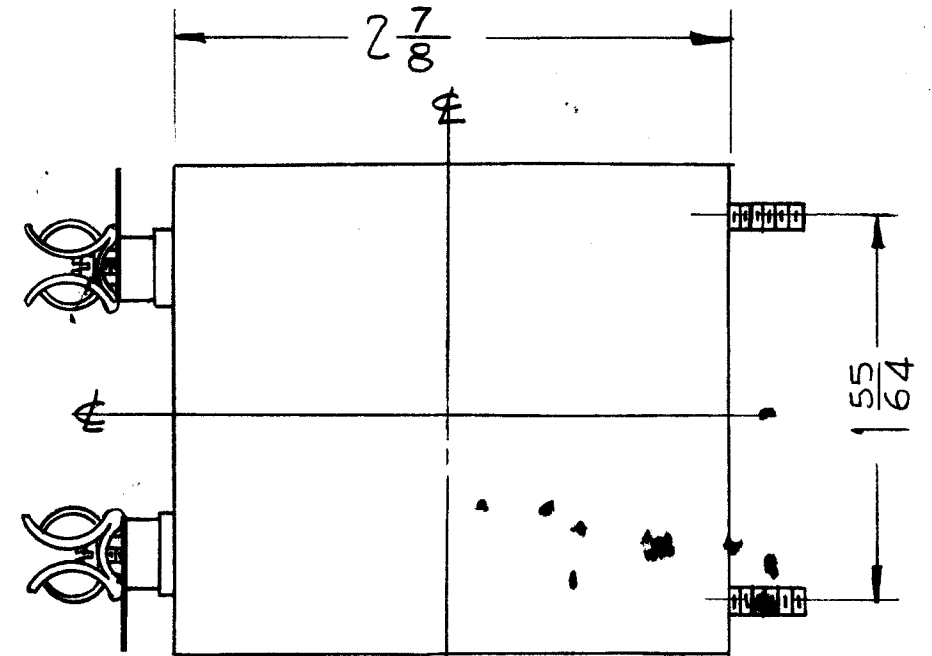
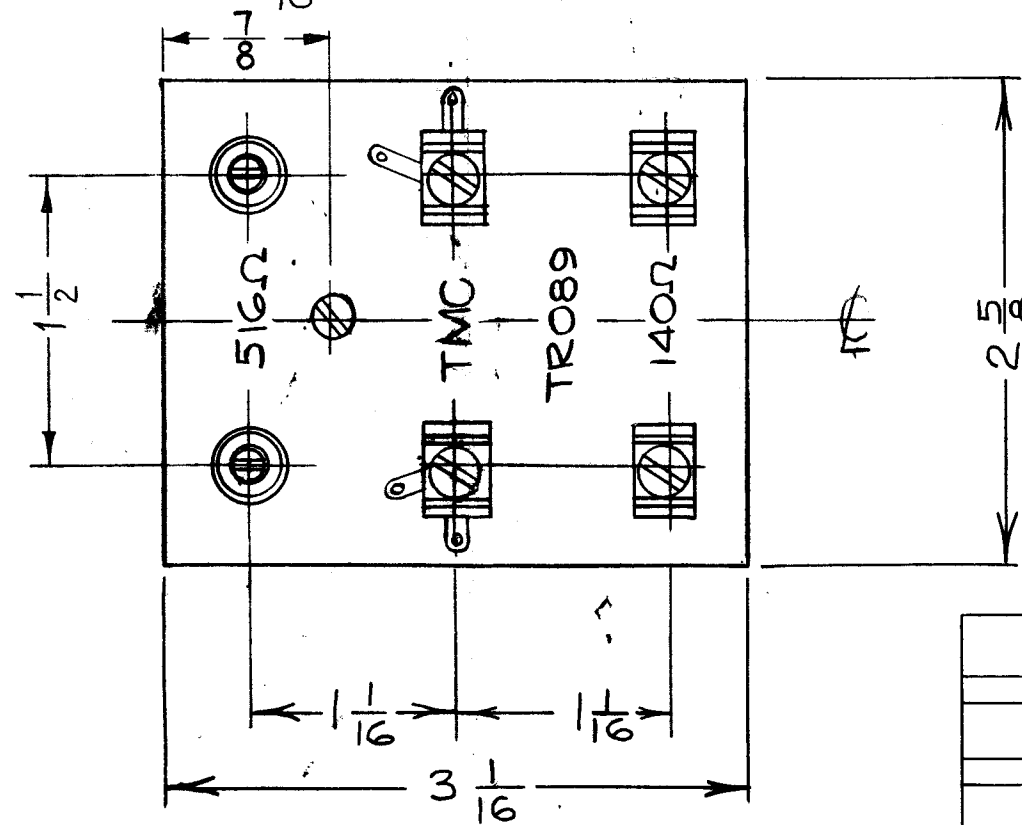
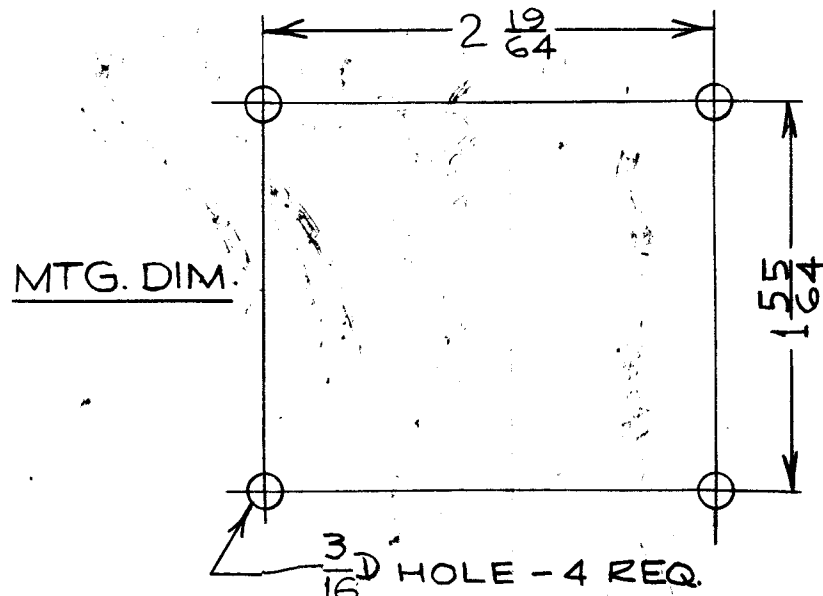
ELECTRICAL SPECIFICATIONS

PRIMARY: 140 ohms balanced
 SECONDARY: 516 ohms balanced
 FREQ. RANGE: 4-21 Mc/s
 FREQ. RESPONSE: ± 0.5db.
 INSERTION LOSS: 0.5db.

MECHANICAL SPECIFICATIONS

LENGTH: 3 1/16"
 WIDTH: 2 5/8"
 HEIGHT: 2 7/8"
 MOUNTING: 4 8-32 x 3/8" studs
 FINISH: T.M.C. grey (S-115)

TRO89 B



STOCK SIZE		TMC (Canada) LIMITED OTTAWA ONTARIO	
MATERIAL		TRANSFORMER	
WEIGHT PER PC.		TRO89	
TYPE & TEMPER.		JPC	<i>[Signature]</i>
HEAT TREAT. SPEC.		DRAWN	ELEC. DES. APP. MECH. DES. APP.
FINISH & SPEC. NO.		CHECKED	FINAL APPROVAL

TOLERANCES		SCALE: 4-A-10329
ALL OTHERS	DEC. DIM. ± FRAC. DIM. ± ANGULAR DIM. ±	DRILL, PUNCH, COMMERCIAL STOCK SIZES AND MANUFACTURERS TOLERANCES ARE NOT INCLUDED.

TRO89	E 2570-1	JUNE 28/61
MODEL	PROJECT NO.	DATE
USED ON		

TRO89 B