

IF IT IS FOUND DESIRABLE TO CHANGE ANY TOLERANCE OR OTHER DETAIL SPECIFIED ON THIS DRAWING NOTIFY THE PURCHASER PROMPTLY.

MAXIMUM ALLOWABLE TOLERANCES HAVE BEEN DETERMINED AND DEVIATIONS WILL BE CAUSE FOR REJECTION. REMOVE ALL BURRS AND SHARP EDGES.

DIMENSIONS IN INCHES UNLESS OTHERWISE SPECIFIED

REQ.	ITEM	PART NO.	DESCRIPTION	SYMBOL
------	------	----------	-------------	--------

TR-088

ELECTRICAL SPECIFICATIONS

PRIMARY: 516 ohms balanced

SECONDARY: 75 ohms unbalanced

FREQUENCY RANGE: 4-15 MHZ
 FREQUENCY RESPONSE: ±0.5db.
 INSERTION LOSS : 0.5db.

MECHANICAL SPECIFICATIONS

LENGTH: 3 1/16"

WIDTH: 2 5/8"

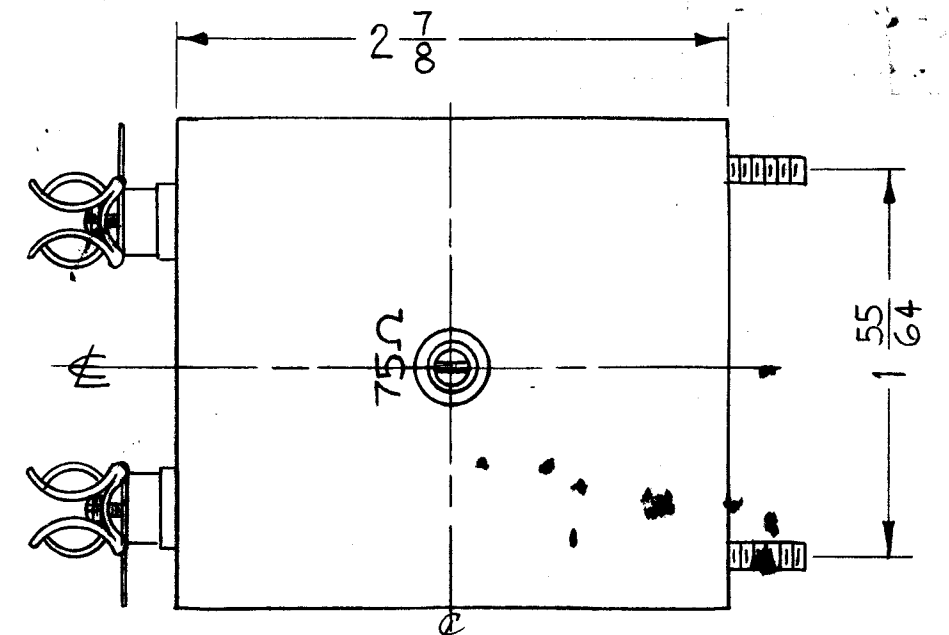
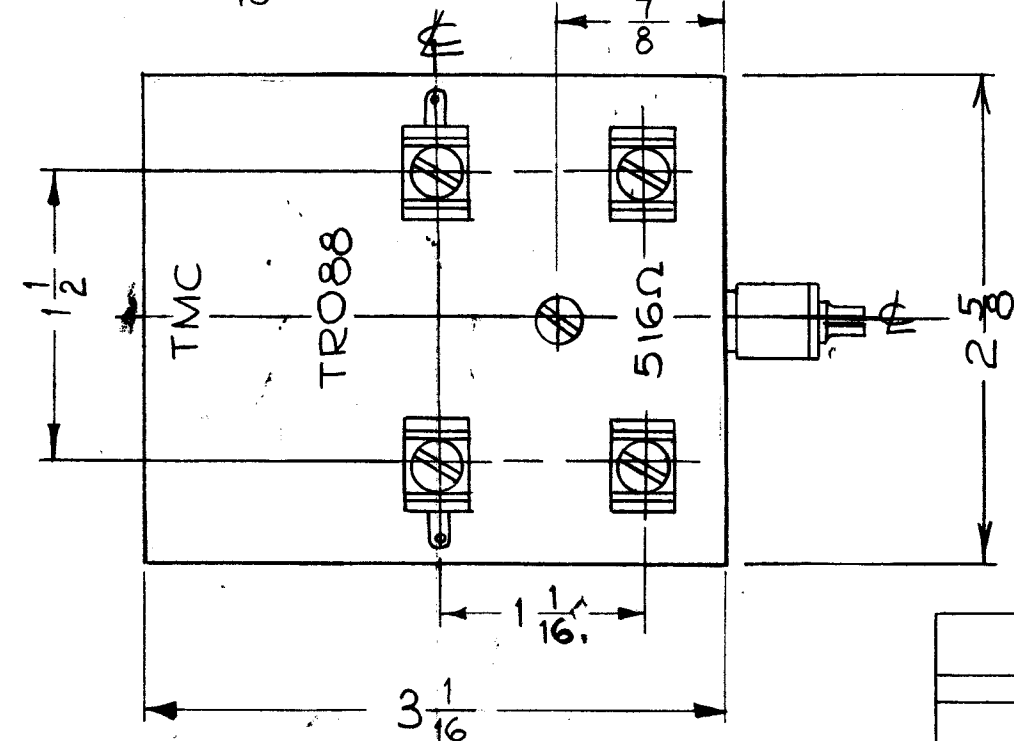
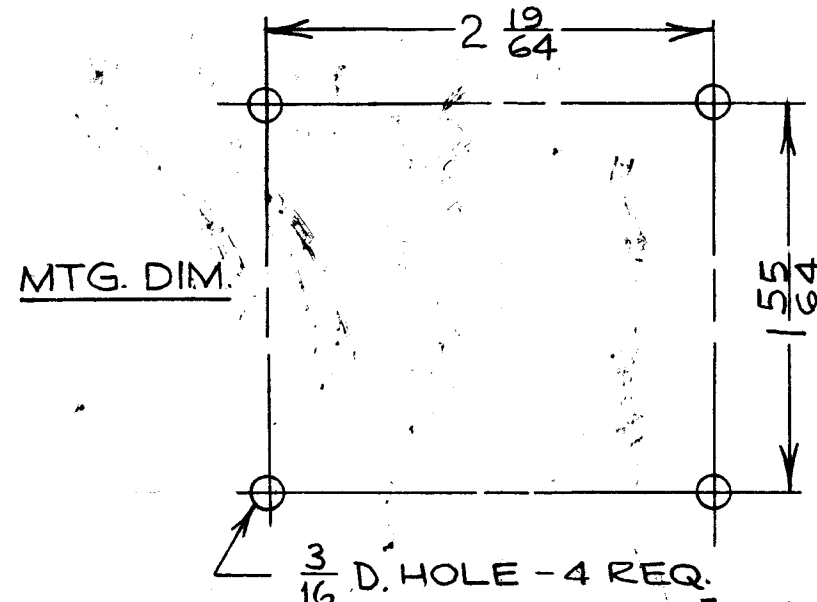
HEIGHT: 2 7/8"

MOUNTING: 4 8-32 x 3/8" studs

FINISH: T.M.C. grey (S-115)

ISSUE	ITEM	CHANGED FROM	DATE	CN. NO.	DRAFTS	CHECKER	ENG. APP.
A	1	Left Side View Deleted	1-7-61	5206	M.G.	J.D.	L.K.
	2	(2) Terminals Deleted					
	3	Deleted Terminal No's. On Spec.					
B	1	2-28 Mc/S WAS 4-21 Mc/S	9-22-61	5617	EE	AB	S.M.
C		FREQ. RNG WAS 2-28 Mc/S	3-15-73	21011	GE	EJ	CE

C
TRO88



STOCK SIZE		TMC (Canada) LIMITED OTTAWA ONTARIO	
MATERIAL		TRANSFORMER	
WEIGHT PER PC.		TRO88	
TYPE & TEMPER		J.P.C. DRAWN	R.W. Thomas MECH. DES. APP.
HEAT TREAT. SPEC.		ELEC. DES. APP.	
FINISH & SPEC. NO.		FINAL APPROVAL	

TOLERANCES		SCALE: 4A-10328
ALL OTHERS	DEC. DIM. ± FRAC. DIM. ± ANGULAR DIM. ±	DRILL, PUNCH, COMMERCIAL STOCK SIZES AND MANUFACTURERS TOLERANCES ARE NOT INCLUDED.

TRO88	E2570-1	JUNE 28/61.
MODEL	PROJECT NO.	DATE
USED ON		

TRO88 C