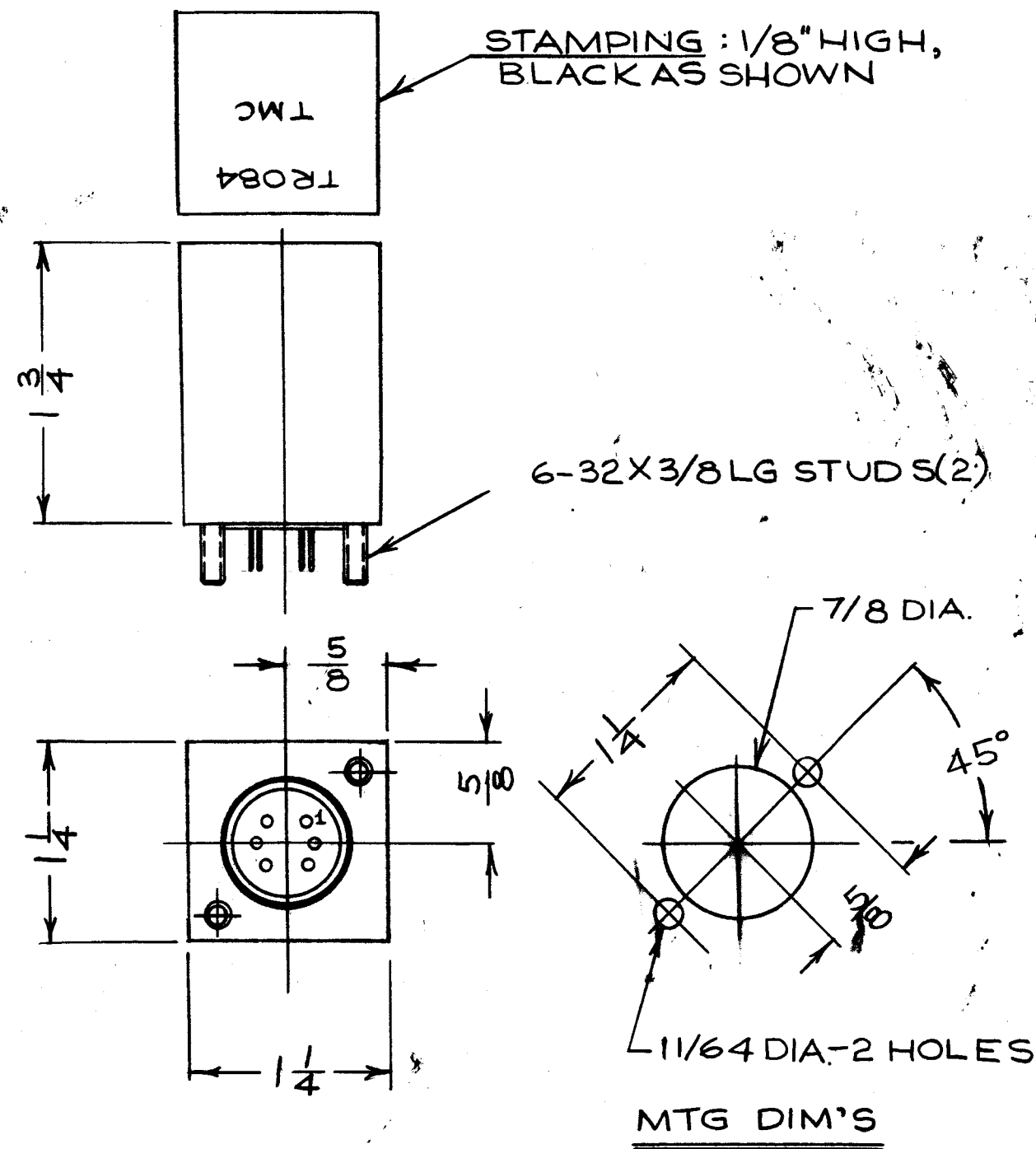


IF IT IS FOUND DESIRABLE TO CHANGE ANY TOLERANCE OR OTHER DETAIL SPECIFIED ON THIS DRAWING NOTIFY THE PURCHASER PROMPTLY.

MAXIMUM ALLOWABLE TOLERANCES HAVE BEEN DETERMINED AND DEVIATIONS WILL BE CAUSE FOR REJECTION. REMOVE ALL BURRS AND SHARP EDGES

TRO84



**TRO84**  
**ELECTRICAL SPECIFICATIONS**  
 FREQ. RANGE: 0.1-2 MC/S.  
 PRIMARY: TERMINAL(S) 5 & 7: 1000Ω EITHER SIDE BALANCED.

SECONDARY: — || — 6: B+  
 — || — 1: GND  
 — || — 3: 70Ω UNBALANCED

**MECHANICAL SPECIFICATIONS**  
 LENGTH: 1-1/4"  
 WIDTH: 1-1/4"  
 HEIGHT: 1-3/4"  
 TERMINALS: STD 7 PIN PLUG-IN TYPE  
 MOUNTING: (2) 6-32 X 3/8" STUDS.  
 FINISH: TMC GREY (S-115)

NOTICE TO PERSONS RECEIVING THIS DRAWING

THE TECHNICAL MATERIEL CORPORATION claims proprietary right in the material disclosed hereon. This drawing is issued in confidence for engineering information only and may not be reproduced or used to manufacture anything shown hereon without permission from THE TECHNICAL MATERIEL CORPORATION to the user. This drawing is loaned for mutual assistance and is subject to recall at any time.

Property of:  
 THE TECHNICAL MATERIEL CORPORATION  
 MAMARONECK, NEW YORK

REQ.	ITEM	PART NO.	DESCRIPTION	SYMBOL
			TMC (Canada) LIMITED OTTAWA ONTARIO	
		STOCK SIZE	XFMR-OUTPUT	
		MATERIAL	BROADBAND	
		WEIGHT PER PC.	JPC	
		TYPE & TEMPER	DRAWN: <i>M. Kr.</i> ELEC. DES. APP. <i>M. Kr.</i> MECH. DES. APP.	
		HEAT TREAT. SPEC.	CHECKED: <i>[Signature]</i> FINAL APPROVAL: <i>[Signature]</i>	
		FINISH & SPEC. NO.	TR 084	

ISSUE	ITEM	CHANGED FROM	DATE	CN. NO.	DRAFTS	CHECKER	ENG. APP.
TOLERANCES							
ALL OTHERS		DEC. DIM. ±	SCALE: 1:1		DRILL, RUNCH, COMMERCIAL STOCK		
		FRAC. DIM. ± 1/64			SIZES AND MANUFACTURERS		
		ANGULAR DIM. ±			TOLERANCES ARE NOT INCLUDED.		

DA-101	CE5107	A-10283	NOV.17/60
MODEL	PROJECT NO.	ASS'Y. NO.	DATE
USED ON			