

IF IT IS FOUND DESIRABLE TO CHANGE ANY TOLERANCE OR OTHER DETAIL SPECIFIED ON THIS DRAWING NOTIFY THE PURCHASER PROMPTLY.

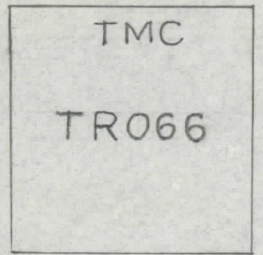
DIMENSIONS IN INCHES UNLESS OTHERWISE SPECIFIED

MAXIMUM ALLOWABLE TOLERANCES HAVE BEEN DETERMINED AND DEVIATIONS WILL BE CAUSE FOR REJECTION. REMOVE ALL BURRS AND SHARP EDGES.

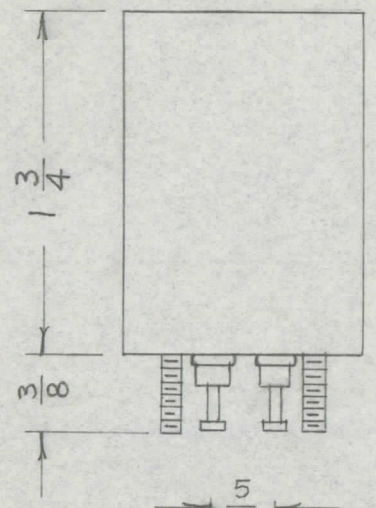
ISSUE	ITEM	CHANGED FROM	DATE	CN. NO.	DRAFTS	CHECKER	ENG. APP.

REQ.	ITEM	PART NO.	DESCRIPTION	SYMBOL

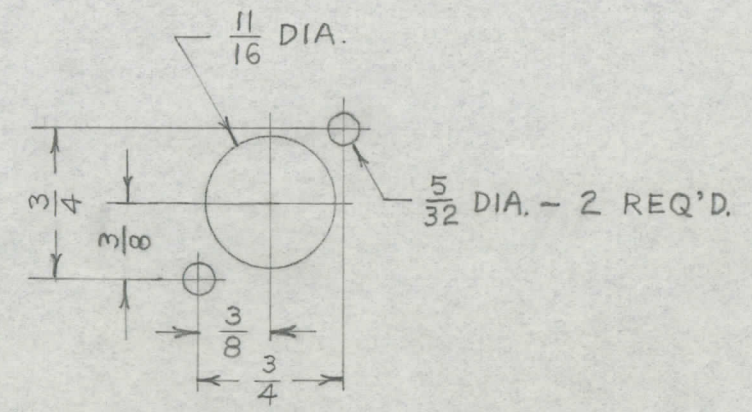
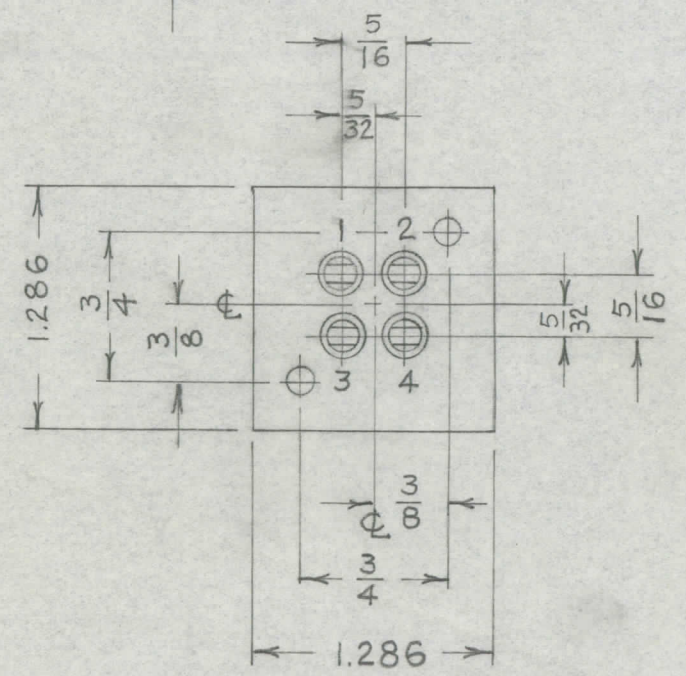
TRO66



STAMPING: $\frac{1}{8}$ " HIGH, BLACK GOTHIC, AS SHOWN.



STUDS: 6-32 x $\frac{3}{8}$ (2)



MOUNTING DATA

STOCK SIZE		TMC (Canada) LIMITED OTTAWA ONTARIO		
MATERIAL				
WEIGHT PER PC.				
TYPE & TEMPER				
HEAT TREAT. SPEC.		DRAWN	ELEC. DES. APP.	MECH. DES. APP.
FINISH & SPEC. NO.		CHECKED	FINAL APPROVAL	
		TRO66		

TOLERANCES		SCALE: 1:1
ALL OTHERS	DEC. DIM. ± FRAC. DIM. ± ANGULAR DIM. ±	DRILL, PUNCH, COMMERCIAL STOCK SIZES AND MANUFACTURERS TOLERANCES ARE NOT INCLUDED.

BAA-1			MAR 20/63
MODEL	PROJECT NO.	ASS'Y. NO.	DATE
USED ON			