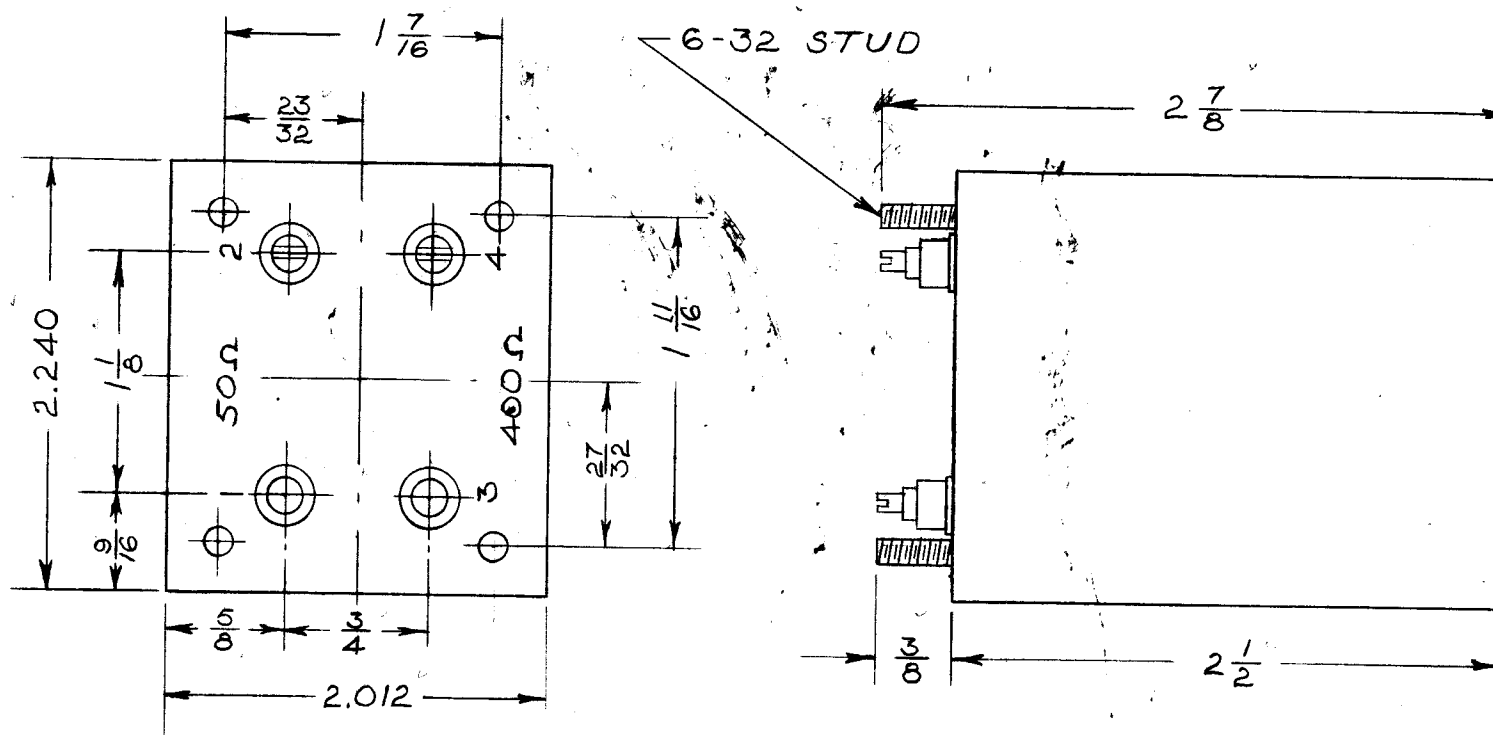


IF IT IS FOUND DESIRABLE TO CHANGE ANY TOLERANCE OR OTHER DETAIL SPECIFIED ON THIS DRAWING NOTIFY THE PURCHASER PROMPTLY.

MAXIMUM ALLOWABLE TOLERANCES HAVE BEEN DETERMINED AND DEVIATIONS WILL BE CAUSE FOR REJECTION. REMOVE ALL BURRS AND SHARP EDGES

TR-063 Ø



MECHANICAL SPECIFICATIONS-

1. - CASE - STEEL CAD. PLATE
2. - TERMINALS - CERAMIC
3. - FILLER - COMPOUND
4. - FINISH - GREY
5. - STUDS - 6-32 x $\frac{3}{8}$

ELECTRICAL SPECIFICATIONS-

1. - IMPEDANCE
INPUT 1-2 50Ω UNBALANCED
OUTPUT 3-4 400Ω UNBALANCED
2. - FREQUENCY RESPONSE
2-30 MC. ± 1 DB

REQ.	ITEM	PART NO.	DESCRIPTION	SYMBOL
			TMC (Canada) LIMITED OTTAWA ONTARIO	
		STOCK SIZE	R.F. TRANSFORMER	
		MATERIAL	INPUT AMCG-2/50 U	
		WEIGHT PER PC.	T. HONG.	
		TYPE & TEMPER	DRAWN	ELEC. DES. APP. MECH. DES. APP.
		HEAT TREAT. SPEC.	L.M.	8/12/56
		FINISH & SPEC. NO.	CHECKED	FINAL APPROVAL
			A-10074	TR-063 Ø

ISSUE	ITEM	ORIGINAL RELEASE	DATE	CN. NO.	DRAFTS	CHECKER	ENG. APP.
			9/14/56				
TOLERANCES		SCALE: FULL SIZE					
ALL OTHERS	DEC. DIM. ± FRAC. DIM. ± ANGULAR DIM. ±	DRILL, PUNCH, COMMERCIAL STOCK SIZES AND MANUFACTURERS TOLERANCES ARE NOT INCLUDED.					

AMCG-3
AMCG-2

MODEL PROJECT NO. ASS'Y. NO. DATE

13/8/56

USED ON