

IF IT IS FOUND DESIRABLE TO CHANGE ANY TOLERANCE OR OTHER DETAIL SPECIFIED ON THIS DRAWING NOTIFY THE PURCHASER PROMPTLY.

TR-058 B

MAXIMUM ALLOWABLE TOLERANCES HAVE BEEN DETERMINED AND DEVIATIONS WILL BE CAUSE FOR REJECTION. REMOVE ALL BURRS AND SHARP EDGES

USED ON

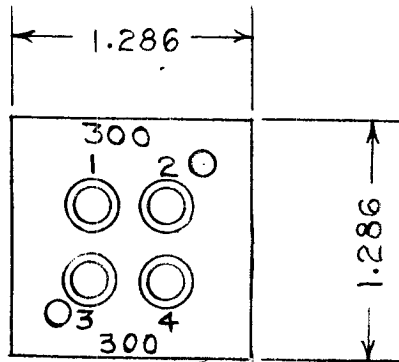
MODEL

PROJECT NO.

ASS'Y. NO.

DATE

A-10039-2  
A-10039-3

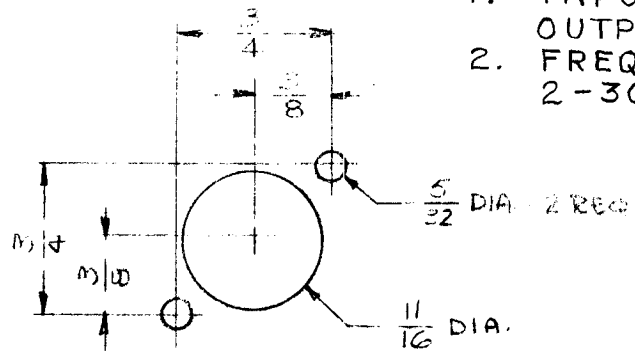
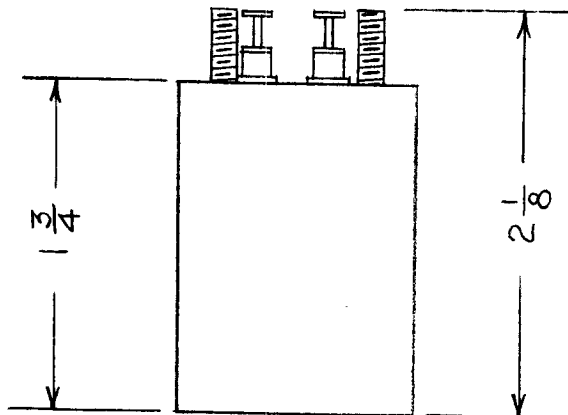


MECHANICAL SPECIFICATIONS

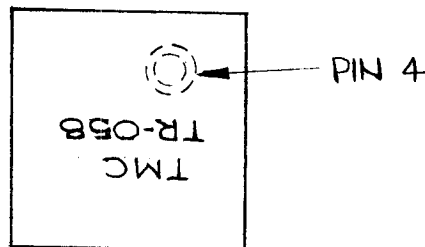
1. CASE - STEEL-CAD. PLATE
2. TERMINALS - CERAMIC
3. FILLER - COMPOUND
4. FINISH - GREY
5. STUDS - 6-32 x 3/8

ELECTRICAL SPECIFICATIONS

1. INPUT 2-3 300Ω UNBALANCED  
OUTPUT 4-1 300Ω UNBALANCED
2. FREQUENCY RESPONSE  
2-30 MC. ±0.5DB.



MOUNTING DIM.



REQ.	ITEM	PART NO.	DESCRIPTION	SYMBOL
			<b>TMC (Canada) LIMITED</b> OTTAWA ONTARIO	
			R.F. TRANSFORMER	
			NEUTRALIZING	
			J.W.T.	
			DRAWN	ELEC. DES. APP. MECH. DES. APP.
			CHECKED	FINAL APPROVAL
			A-10039	TR-058 B
			FINISH & SPEC. NO.	

B	1	STAMPING CLARIFIED	91663	9932			
ISSUE	ITEM	CHANGED FROM	DATE	CN. NO.	DRAFTS	CHECKER	ENG. APP.
TOLERANCES			SCALE FULL SIZE				
ALL OTHERS	DEC. DIM. ± FRAC. DIM. ± ANGULAR DIM. ±		DRILL, PUNCH, COMMERCIAL STOCK SIZES AND MANUFACTURERS TOLERANCES ARE NOT INCLUDED.				