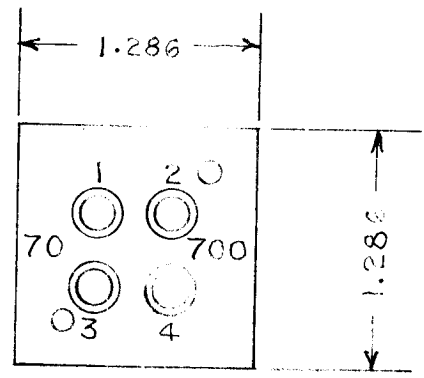


IF IT IS FOUND DESIRABLE TO CHANGE ANY TOLERANCE OR OTHER DETAIL SPECIFIED ON THIS DRAWING NOTIFY THE PURCHASER PROMPTLY.

TR-051 A

MAXIMUM ALLOWABLE TOLERANCES HAVE BEEN DETERMINED AND DEVIATIONS WILL BE CAUSE FOR REJECTION. REMOVE ALL BURRS AND SHARP EDGES

USED ON			
MODEL	PROJECT NO.	ASS'Y. NO.	DATE

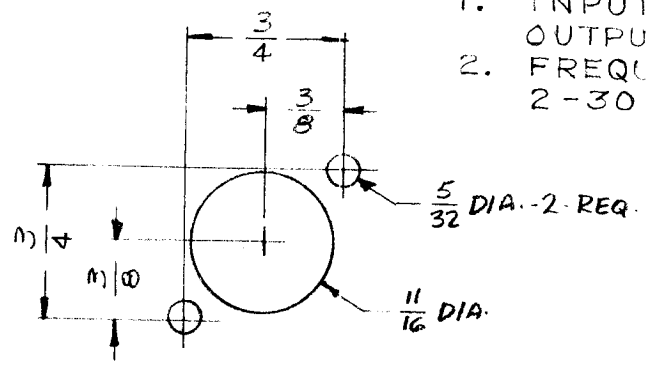
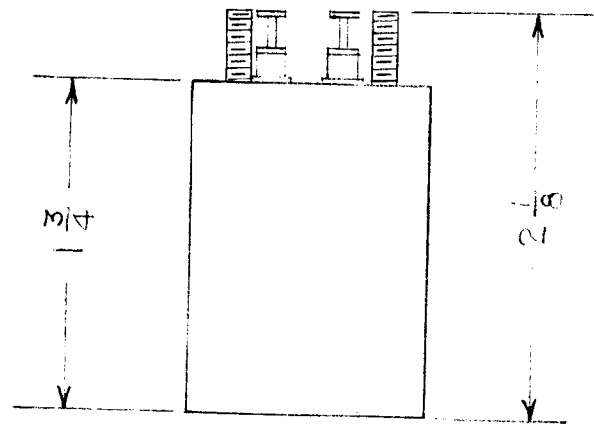


MECHANICAL SPECIFICATIONS

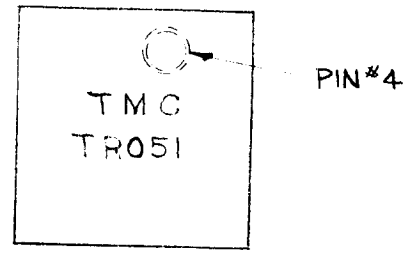
1. CASE - STEEL
2. TERMINALS - CERAMIC
3. FILLER - COMPOUND
4. FINISH - GREY
5. STUDS - 6-32 x $\frac{3}{8}$

ELECTRICAL SPECIFICATIONS

1. INPUT 2-4 700 Ω UNBALANCED
OUTPUT 1-3 70 Ω UNBALANCED
2. FREQUENCY RESPONSE
2-30 MC. \pm DB.



MOUNTING DIM.



REQ.	ITEM	PART NO.	DESCRIPTION	SYMBOL
			TMC (Canada) LIMITED OTTAWA ONTARIO	
			R.F. TRANSFORMER	
			OUTPUT	
			J.W.T.	
			DRAWN	ELEC. DES. APP. MECH. DES. APP.
			CHECKED	FINAL APPROVAL
			A-10032	TR-051
			HEAT TREAT. SPEC.	
			FINISH & SPEC. NO.	

A	1	DRILLING PLAN CLARIFIED PIN 4 ADDED TO BOTTOM VIEW	12-4-62	767Z	EF	J.W.T.	J.W.T.
ISSUE	ITEM	CHANGED FROM	DATE	CN. NO.	DRAFTS	CHECKER	ENG. APP.

TOLERANCES		SCALE FULL SIZE
ALL OTHERS	DEC. DIM. \pm FRAC. DIM. \pm ANGULAR DIM. \pm	DRILL, PUNCH, COMMERCIAL STOCK SIZES AND MANUFACTURERS TOLERANCES ARE NOT INCLUDED.