

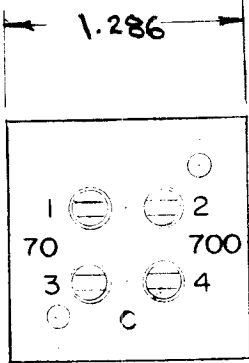
IF IT IS FOUND DESIRABLE TO CHANGE ANY TOLERANCE OR OTHER DETAIL SPECIFIED ON THIS DRAWING NOTIFY THE PURCHASER PROMPTLY.

TR-022 A

MAXIMUM ALLOWABLE TOLERANCES HAVE BEEN DETERMINED AND DEVIATIONS WILL BE CAUSE FOR REJECTION. REMOVE ALL BURRS AND SHARP EDGES

USED ON

MODEL	PROJECT NO.	ASS'Y. NO.	DATE
AMC-G	149		3-5-53

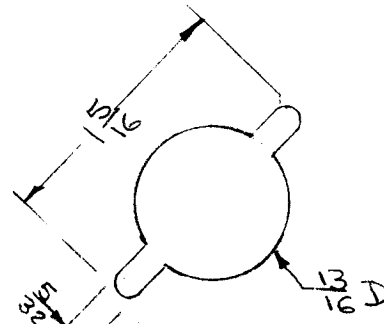
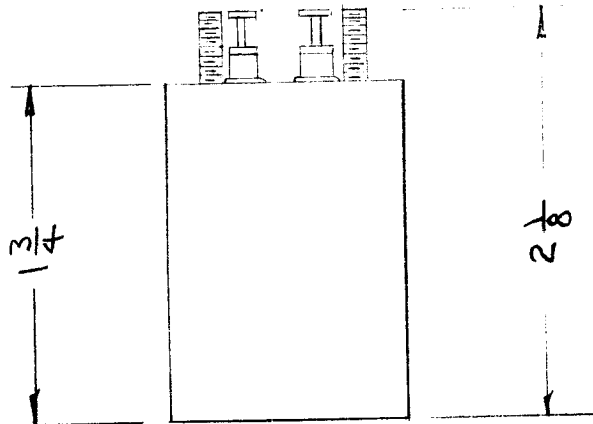


MECHANICAL SPECIFICATIONS

1. Case: Steel.
2. Terminals: Ceramic.
3. Filler: Compound.
4. Finish: Grey.
5. Studs: #32 x 3/8.

ELECTRICAL SPECIFICATIONS

1. Impedance
70 Ω unbalanced / 700 Ω unbalanced
2. Frequency response.
2 to 30 mc. ± 3 dB.



DRILLING PLAN

TMC
TR022

REQ.	ITEM	PART NO.	DESCRIPTION	SYMBOL
			THE TECHNICAL MATERIEL CORP. MAMARONECK. NEW YORK	
STOCK SIZE			ANTENNA MATCHING	
MATERIAL			TRANSFORMER	
TYPE & TEMPER			JAD 3-6-53	ARB
HEAT TREAT. SPEC.			DRAWN	ELEC. DES. APP.
FINISH & SPEC. NO.			CHECKED	MECH. DES. APP.
			2A-428	FINAL APPROVAL
			TR-022 A	

A	1	STAMPING ADDED	5/8/53	1	JAD	ARB	PPK
ISSUE	ITEM	CHANGED FROM	DATE	CN. NO.	DRAFTS	CHECKER	ENG. APP.

TOLERANCES		SCALE
ALL OTHERS	DEC. DIM. ± FRAC. DIM. ± ANGULAR DIM. ±	DRILL, PUNCH, COMMERCIAL STOCK SIZES AND MANUFACTURERS TOLERANCES ARE NOT INCLUDED.