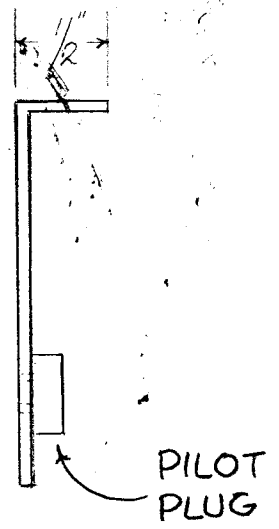
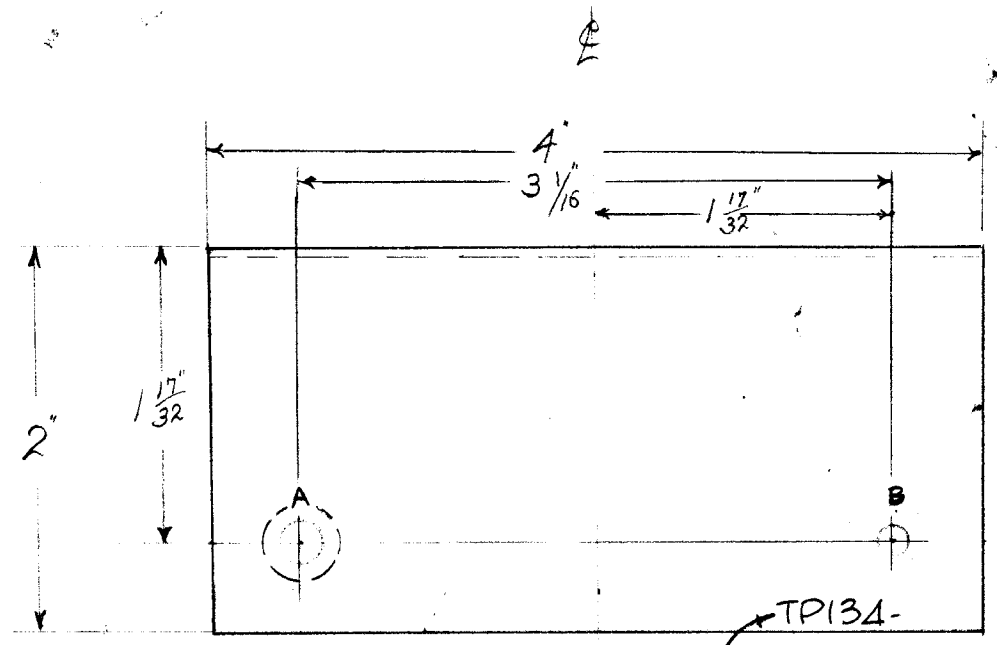


A
TP134

REVISIONS

SYM	DESCRIPTION	DATE	E.M.N. NO.	DRAFT	CHKD	APPD
X1	.372 ⁺⁰⁰⁰ / ₋₀₀₂ WAS 3/16	5/19/65	-AA	BB		
Ø	ORIGINAL RELEASE FOR PRODUCTION	5/19/65	-AA	BB		
A	A HOLE WAS 1/8 B WAS 3/16	7/16/5	14320	D.V.V.	JCB	JEE



HOLE S.
A - 3/16 1 REQ.
B - 1/8 1 REQ.



NOTE: PILOT PLUG TO BE MOUNTED IN "A" HOLE.

USE 1/8 TAKE-OFF IN "B" HOLE

METAL STAMP TMC
PT. NO. 1/8 HIGH
GOTHIC, W/LATEST
REVISION LETTER

REQ'D.	ITEM	PART NUMBER	DESCRIPTION	SYMBOL	
EATON LIST OF MATERIAL					
MATERIAL .062 ALUMINUM 5052-H32 3/8 ROUND STOCK FOR PLUG			THE TECHNICAL MATERIEL CORP. MAMARONECK, NEW YORK		
FINISH S404 YEL. IRIDITE					
TITLE TEMPLATE, FRONT PANEL MTG. GAIN CONTROL					
UNLESS OTHERWISE SPECIFIED DIMENSIONS ARE IN INCHES AND INCLUDE CHEMICALLY APPLIED OR PLATED FINISHES			DRAWN BB CHECKED JCB ELECT. DES. [Signature] MECH. DES. [Signature]	DATE 5/6/65 DATE 5/19/65 DATE 5/6/65	FINAL APPROVAL [Signature] DATE 5/19/65 SHEET
DECIMALS .X ± .05 .XX ± .01 .XXX ± .005			TOLERANCES ± 1/64 ANGLES ± 0° 30'		
THE CONTENTS OF THIS DRAWING ARE THE EXCLUSIVE PROPERTY OF THE TECHNICAL MATERIEL CORP. ITS UNAUTHORIZED USE OR REPRODUCTION IN WHOLE OR IN PART IS STRICTLY FORBIDDEN.			TP134 A		

Q'TY./UNIT	MODEL USED ON	ASS'Y. NO.
SCALE 1:1	CODE	
	HFI	KIT221

NOTES