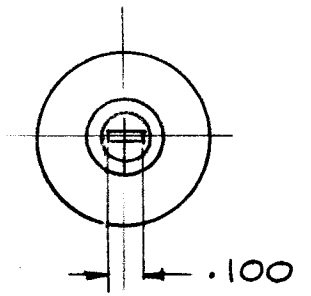
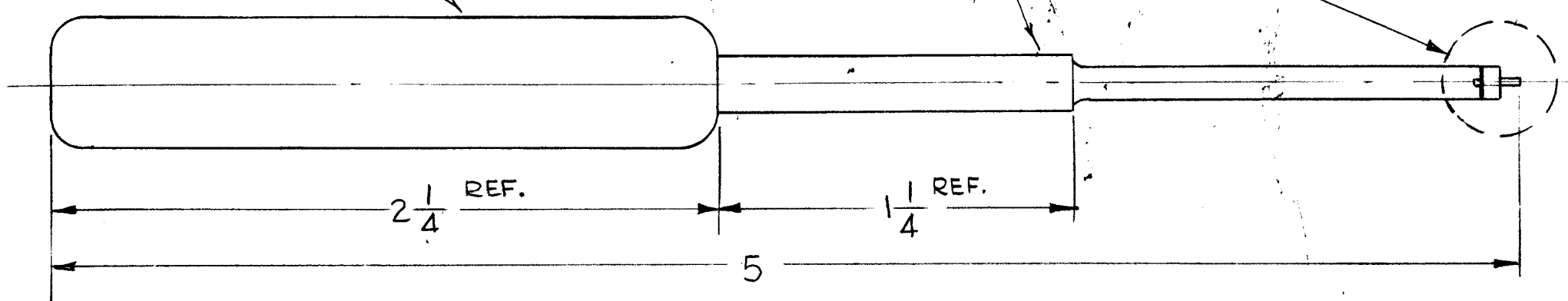


TP129

REVISIONS						
SYM	DESCRIPTION	DATE	E.M.N. NO.	DRAFT	CHKD	APPD
Ø	ORIGINAL RELEASE FOR PRODUCTION	7-8-65	-A-	JC		

HANDLE
(PHENOLIC)

SHANK
(PHENOLIC)



REQ'D.	ITEM	PART NUMBER	DESCRIPTION	SYMBOL
LIST OF MATERIAL				
MATERIAL		THE TECHNICAL MATERIEL CORP. MAMARONECK, NEW YORK		
AS NOTED		ALIGNMENT TOOL		
FINISH		TITLE		
UNLESS OTHERWISE SPECIFIED DIMENSIONS ARE IN INCHES AND INCLUDE CHEMICALLY APPLIED OR PLATED FINISHES		DRAWN G.D.L.	DATE 7-7-65	FINAL APPROV. <i>[Signature]</i>
		CHECKED <i>[Signature]</i>	DATE 7-8-65	DATE 7/8
		ELECT. DES. <i>[Signature]</i>	DATE	TP129
		MECH. DES. <i>[Signature]</i>	DATE 7-8-65	SHEET
				REV.

Q'TY./UNIT		MODEL USED ON		ASS'Y. NO.
SCALE		CODE	S401-120 (B7104-5)	
2:1		C		
THE CONTENTS OF THIS DRAWING ARE THE EXCLUSIVE PROPERTY OF THE TECHNICAL MATERIEL CORP. ITS UNAUTHORIZED USE OR REPRODUCTION IN WHOLE OR IN PART IS STRICTLY FORBIDDEN.				

NOTES