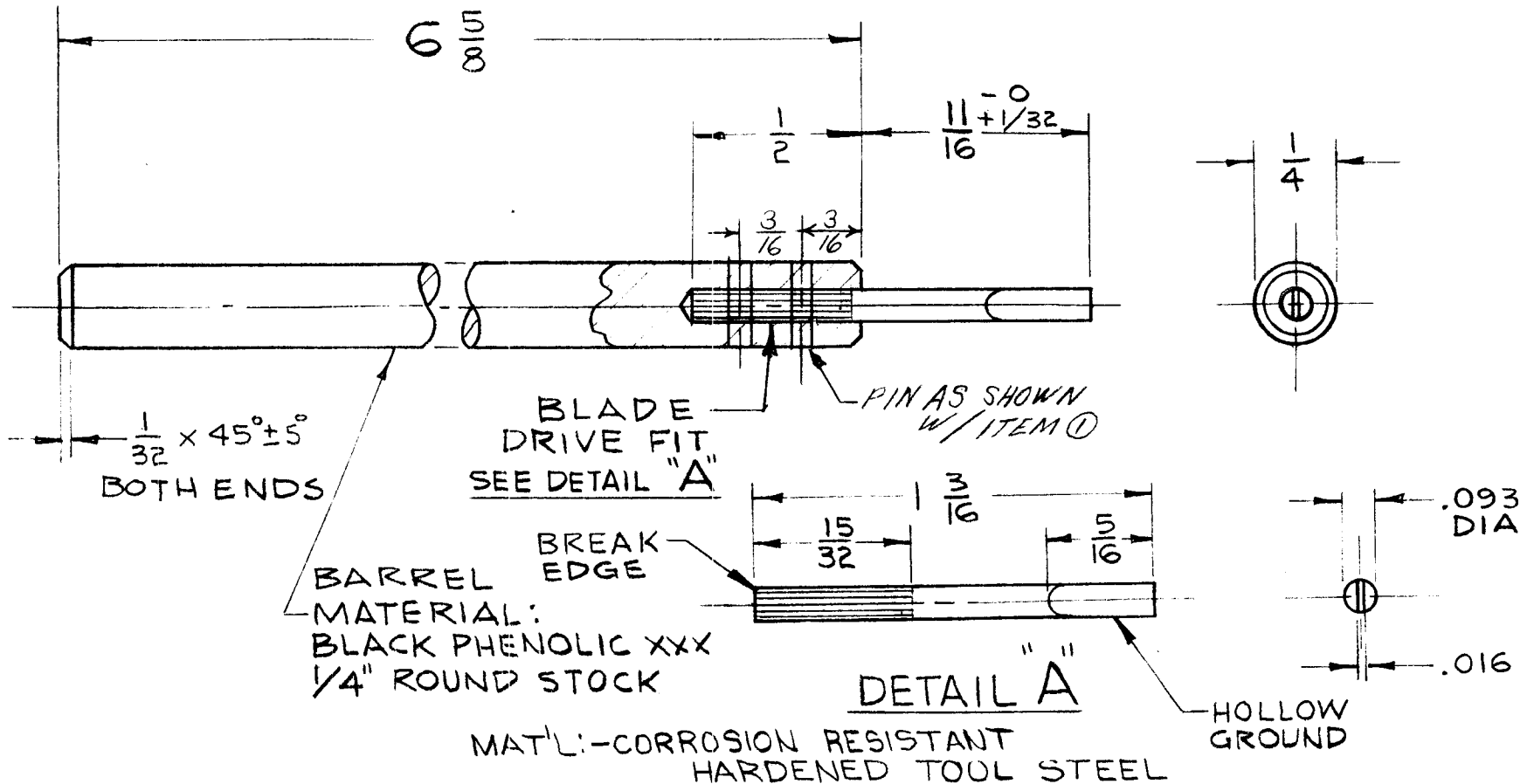


THE CONTENTS OF THIS DRAWING ARE THE EXCLUSIVE PROPERTY OF THE TECHNICAL MATERIEL CORP. ITS UNAUTHORIZED USE OR REPRODUCTION IN WHOLE OR IN PART IS STRICTLY FORBIDDEN.

REQ. PER UNIT	USED ON		
	MODEL	ASS'Y. NO.	DATE
1	HFR-1/T		10/9/62

TP-114 B



2	1	PN-59-062-4	PIN, ROLLED, SPRING	
REQ.	ITEM	PART NO.	DESCRIPTION	
		AS NOTED	THE TECHNICAL MATERIEL CORP.	
		STOCK SIZE	MAMARONECK, NEW YORK	
		AS NOTED	TOOL, ALIGNMENT,	
		MATERIAL	PISTON CAPACITOR	
			DRAWN	CHECKED
			J. LANGER	V.A.
			FINAL APPROVAL	
			TP-114 B	
		FINISH & SPEC. NO.	ELEC. DES. APP.	MECH. DES. APP.

B	SEE EMN #10998	3-964	10998	JEG	TAK	
A	SEE EMN #10918	2/29/62	10918	AM	TAK	
SYM	DESCRIPTION	DATE	CH. NO.	DRAFTS	CHECKER	ENG. APP.
UNLESS OTHERWISE SPECIFIED:		SCALE: 2/1				
DIMENSIONS ARE IN INCHES		MAXIMUM ALLOWABLE TOLERANCES HAVE BEEN DETERMINED AND ANY DEVIATIONS WILL BE CAUSE FOR REJECTION. REMOVE ALL BURRS AND SHARP EDGES				
TOLERANCES ON						
FRAC. ± 1/64 DEC. ± .005 ANGLES ± 1/2°						