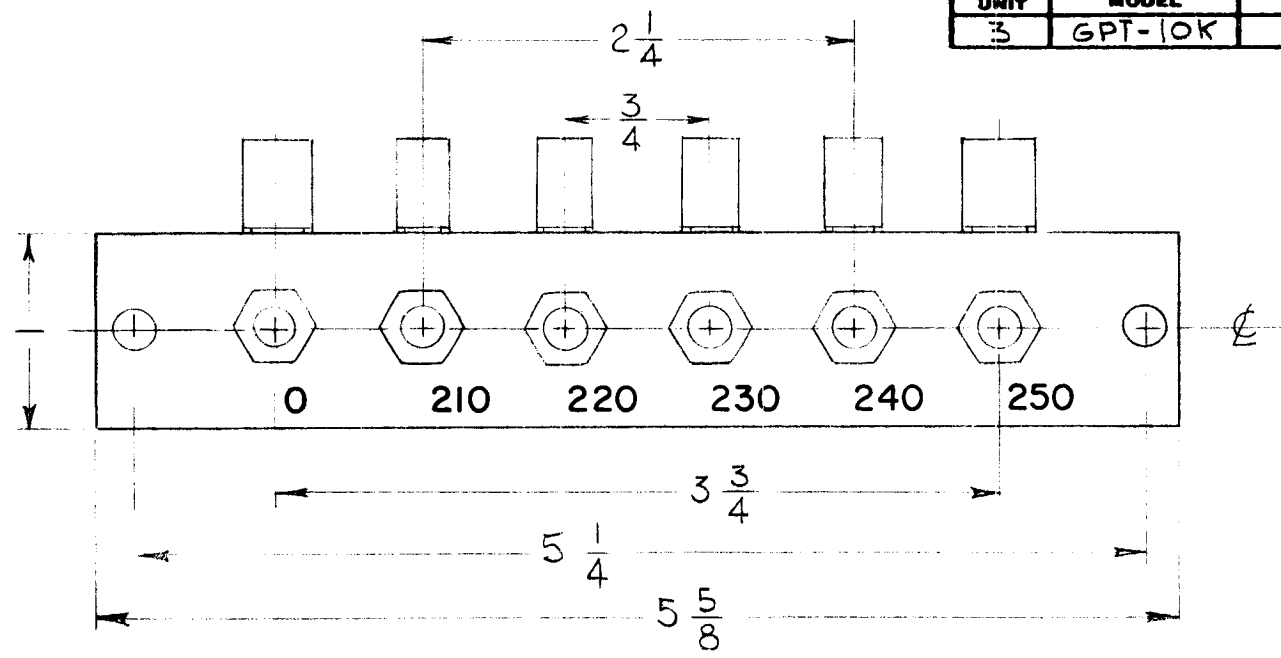
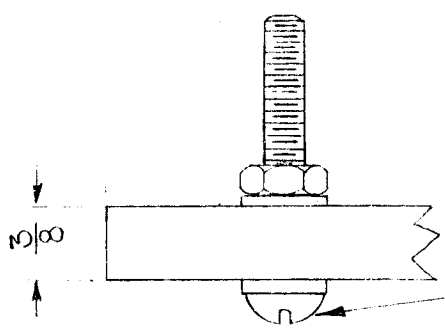


REQ. PER. UNIT	USED ON		
	MODEL	ASS'Y. NO.	DATE
3	GPT-10K		1-17-61

TM-122



BLACK PHENOLIC  
LINEN BASE  
3/8 THICK  
LETTERING 1/8 HIGH WHITE GOTHIC



1/4-20 RH BOLT | 3/8 LONG  
6 REQ.

SUPPLIED W/6 SPLIT LOCKWASHERS & 6 SOLDER LUGS

NOTE:  
THIS STRIP IS A SPARE PARTS  
REPLACEMENT FOR TRANSFORMER TF-203

								REQ.	ITEM	PART NO.	DESCRIPTION		SYMBOL						
											THE TECHNICAL MATERIEL CORP.								
											MAMARONECK, NEW YORK								
											TERMINAL STRIP								
ISSUE	ITEM	CHANGED FROM	DATE	CH. NO.	DRAFTS	CHECKER	ENG. APP.	MATERIAL		DRAWN		CHECKED		FINAL APPROVAL					
TOLERANCES			SCALE:					TYPE & TEMPER		HEAT TREAT. SPEC.		DRAWN		CHECKED		FINAL APPROVAL			
DEC. DIM. ±			MAXIMUM ALLOWABLE TOLERANCES HAVE BEEN DETERMINED AND ANY DEVIATIONS WILL BE CAUSE FOR REJECTION. REMOVE ALL BURRS AND SHARP EDGES									Schuiz		A Se		O B			
FRAC. DIM. ±								FINISH & SPEC. NO.		ELEC. DES. APP		MECH. DES. APP						TM-122	
ANGULAR DIM. ±																			