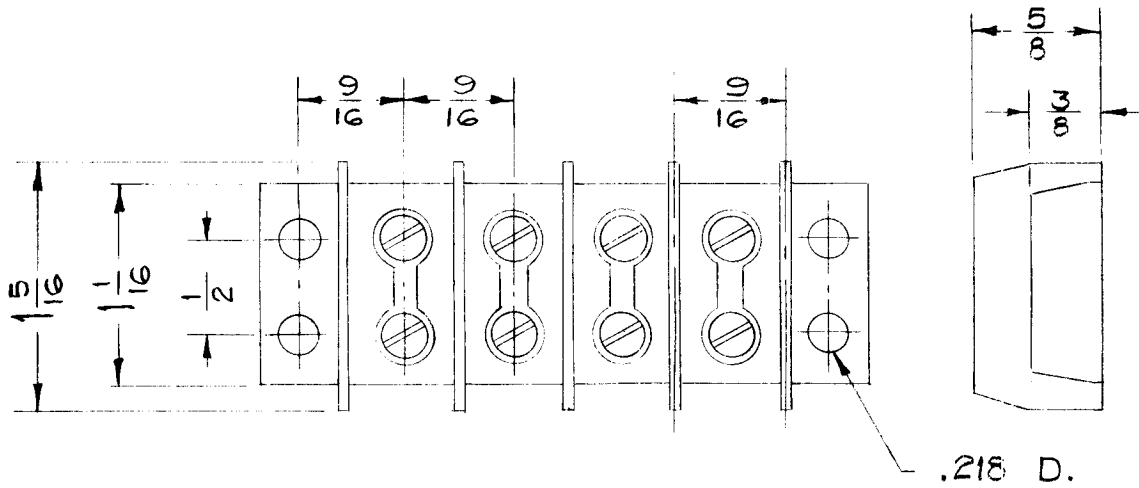


STANDARD DRAWING

REQ. PER UNIT	USED ON		TM-120
	MODEL	ASS'Y. NO.	
			7-16-57



SPECIFICATION:

1. Phenolic material: Plain black bakelite
2. Screws: Binder head, Bright nickel plate, 8-32 x 3/8.
3. Metal spacer: Bright nickel plate.

NOTE:

If the strip is cut to obtain the required length, then the finished surface shall be smooth & free of chips or round edges.

The cut surfaces shall be coated with a clear fungicidal material.

NOMENCLATURE TO BE IN THE FOLLOWING FORM:

TM-120 - 4
 TMC DWG. NO. NO. OF TERMINALS

Ref: Cinch-Jones # 142

ISSUE	ITEM	CHANGED FROM	DATE	CH. NO.	DRAFTS	CHECKER	ENG. APP.	REQ. ITEM	PART NO.	DESCRIPTION	SYMBOL
										THE TECHNICAL MATERIEL CORP. MAMARONECK. NEW YORK	
										TERMINAL STRIP, BARRIER TYPE	
										7-16-57	
										DRAWN	CHECKED
											FINAL APPROVAL
											TM-120
										ELEC. DES. APP.	MECH. DES. APP.