

IF IT IS FOUND DESIRABLE TO CHANGE ANY TOLERANCE OR OTHER DETAIL SPECIFIED ON THIS DRAWING NOTIFY THE PURCHASER PROMPTLY.

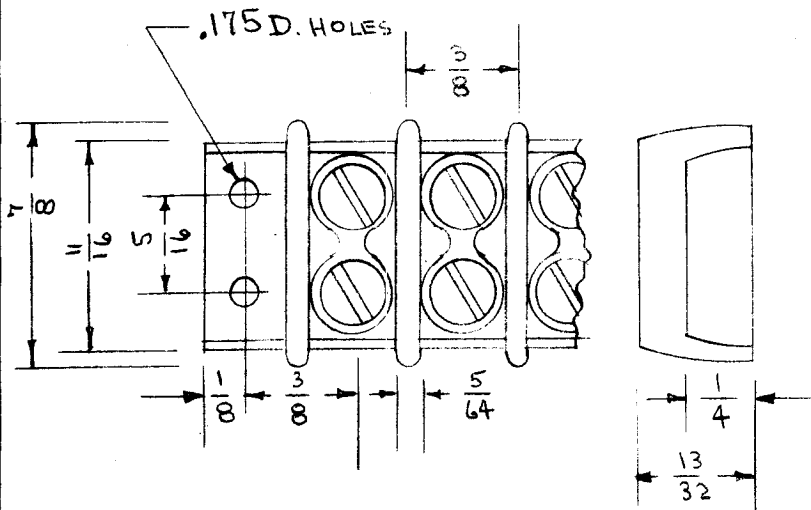
STANDARD DRAWING

TM-102

MAXIMUM ALLOWABLE TOLERANCES HAVE BEEN DETERMINED AND DEVIATIONS WILL BE CAUSE FOR REJECTION. REMOVE ALL BURRS AND SHARP EDGES

USED ON

MODEL	PROJECT NO.	ASS'Y. NO.	DATE
-------	-------------	------------	------



TMC No.	JONES CATALOG No.	KULKA CATALOG No.	NUMBER TERMINALS
TM-102-1	1-164-	600-A-1	1
TM-102-2	2-164-	600-A-2	2
TM-102-3	3-164-	600-A-3	3
TM-102-4	4-164-	600-A-4	4
TM-102-5	5-164-	600-A-5	5
TM-102-6	6-164-	600-A-6	6
TM-102-7	7-164-	600-A-7	7
TM-102-8	8-164-	600-A-8	8
TM-102-9	9-164-	600-A-9	9
TM-102-10	10-164-	600-A-10	10
TM-102-11	11-164-	600-A-11	11
TM-102-12	12-164-	600-A-12	12
TM-102-13	13-164-	600-A-13	13
TM-102-14	14-164-	600-A-14	14
TM-102-15	15-164-	600-A-15	15
TM-102-16	16-164-	600-A-16	16
TM-102-17	17-164-	600-A-17	17
TM-102-18	18-164-	600-A-18	18
TM-102-19	19-164-	600-A-19	19
TM-102-20	20-164-	600-A-20	20
TM-102-21	21-164-	600-A-21	21

SPECIFICATION:

- 1-Phenolic Material shall be plain black bakelite.
- 2-Screws: Binder head, bright nickel plate, 6-32 thread by 1/4 inch long.
- 3-Metal Spacer; Bright nickel plate.

If the strip is cut to obtain the required length, then, the finished surface shall be smooth and free of chips or round edges. The cut surface shall be coated with a clear fungicidal material.

Dimensions for ref. only.

Ref. Cinch-Jones

Kulka Electric Mfg. Co., Inc.

REQ.	ITEM	PART NO.	DESCRIPTION	SYMBOL
#			THE TECHNICAL MATERIEL CORP. MAMARONECK, NEW YORK	
STOCK SIZE				
#			TERMINAL STRIP	
MATERIAL			BARRIER TYPE	
WEIGHT PER PC.			C.D.D. 10-1-5Y	
TYPE & TEMPER			G.T.O. P.H.	
#			DRAWN	
HEAT TREAT. SPEC.			ELEC. DES. APP.	
#			MECH. DES. APP.	
FINISH & SPEC. NO.			CHECKED	
			FINAL APPROVAL	
			TM-102	

B	1	"D" Deleted from cat.	3-22-57	2	SC	APR	APR
A	1	Material mica Deleted	2/15/55	1	HA	500	APR
ISSUE	ITEM	CHANGED FROM	DATE	CN. NO.	DRAFTS	CHECKER	ENG. APP.

TOLERANCES		SCALE	#
ALL OTHERS	DEC. DIM. ± FRAC. DIM. ± ANGULAR DIM. ±	DRILL, PUNCH, COMMERCIAL STOCK SIZES AND MANUFACTURERS TOLERANCES ARE NOT INCLUDED.	